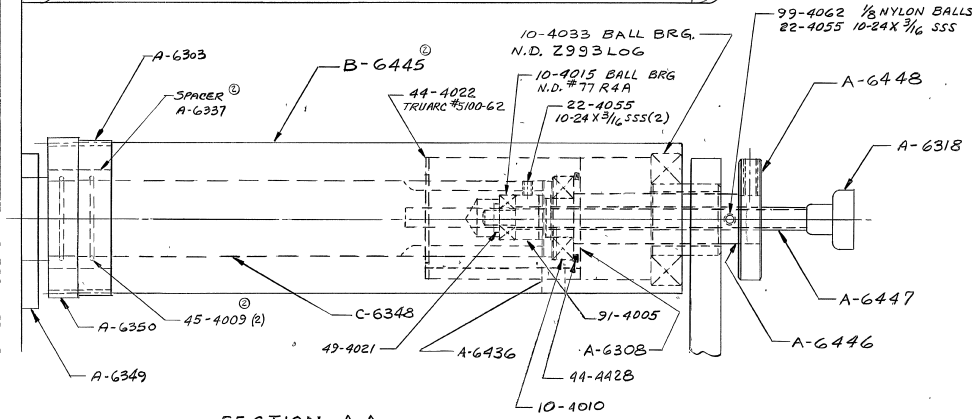
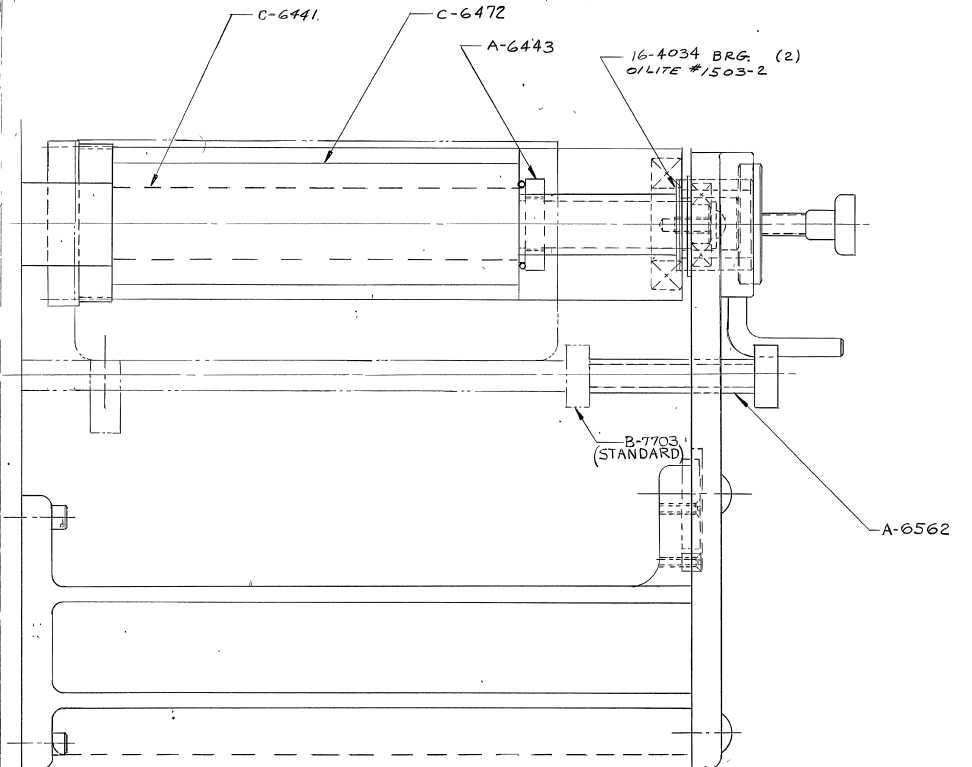
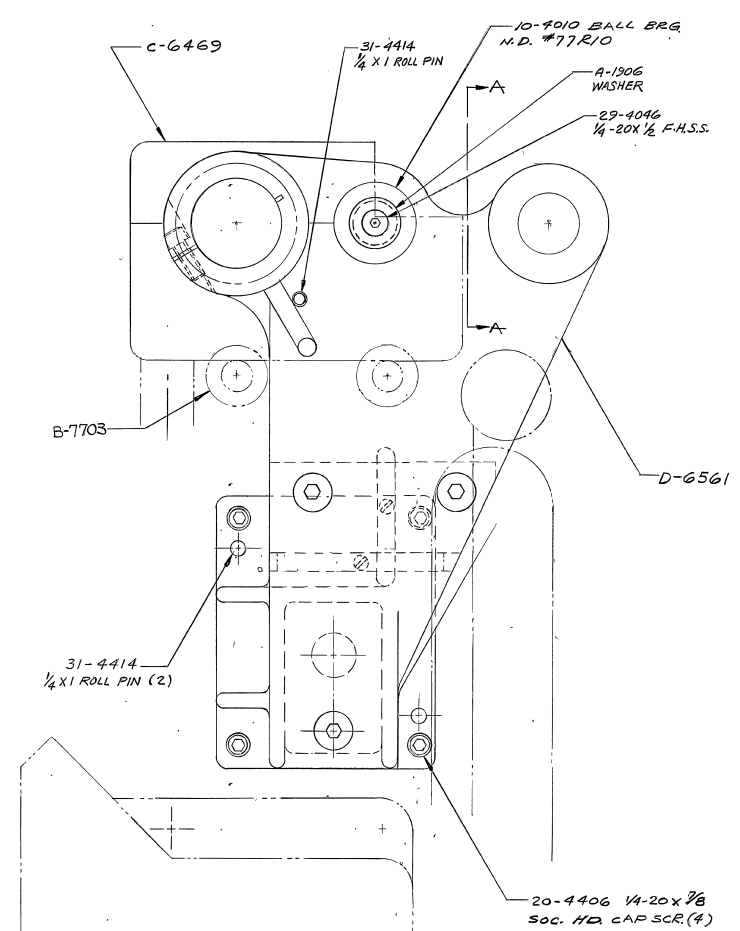


SEE DOCTOR ROLL
ASSY DWG. C-6475



SECTION A-A



REVISIONS		Webtron Corporation	
NO.	DATE	BY	CHKD.
1	3-22-78	BE	BE
2	3-29-78	BE	BE
3			
4			
5			

A DIVISION OF GENERAL ELECTRIC COMPANY
OUTBOARD SUPPORT PINT STATION
ASSEMBLY WITH COMBINATION GEARING

STD. DIM. TOL. SCALE: FULL
 DEC. & SEC. DATE: 12-17-71
 FRAC. & DIA. DRAWN BY: FS.
 ANGLES & DIA. CHECKED BY: D-6424