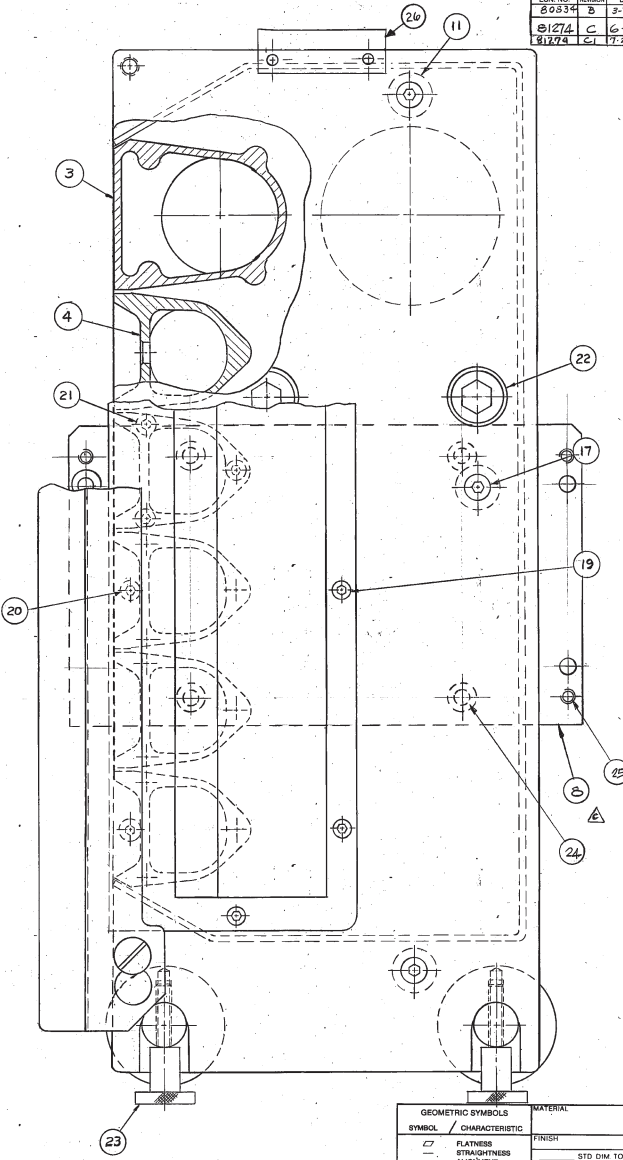
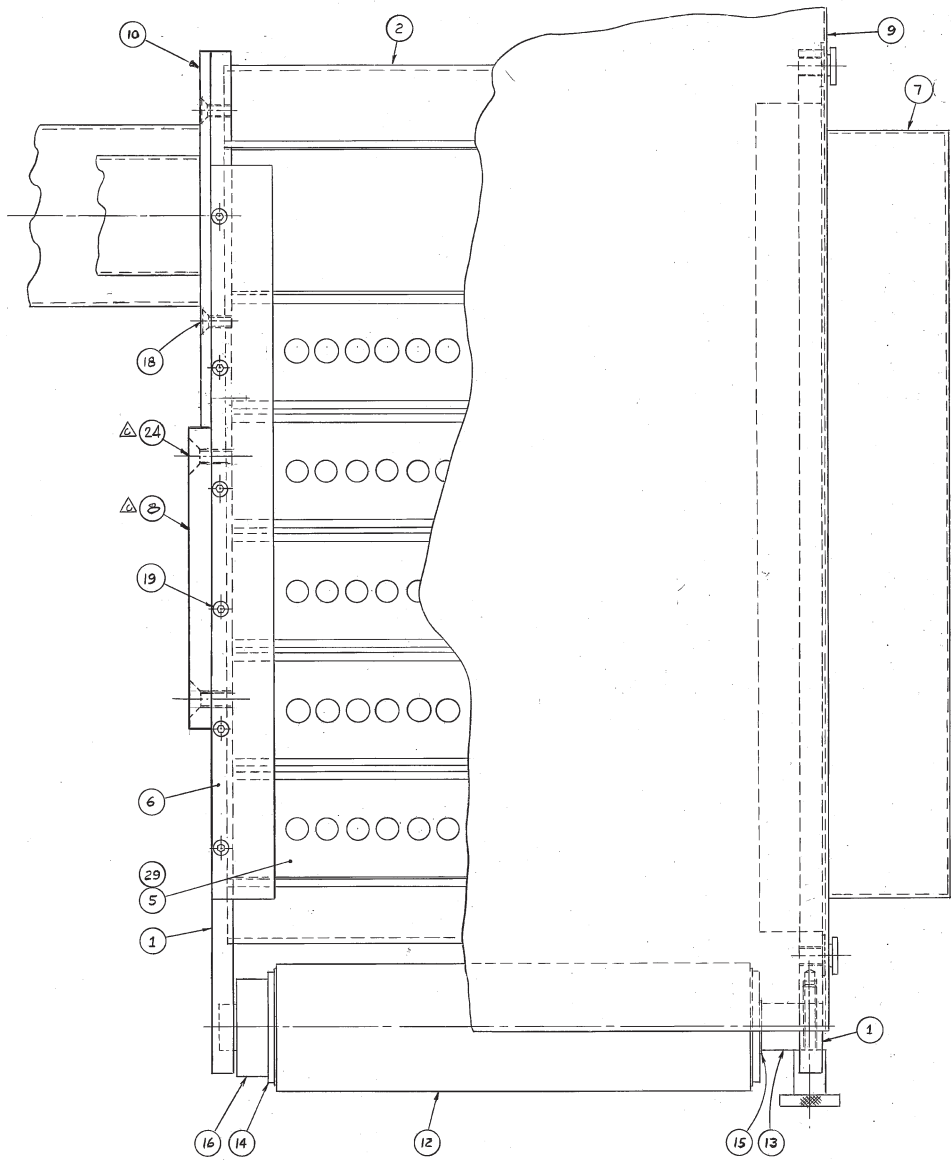


REV. NO.	REVISION	DATE	BY	DESCRIPTION
80834	B	9-7-94	RC	DELETED 201-2983
81274	C	6-6-95	CYZ	ITEM 3 ADDED DRYER PARTS MODIFIED PCO
81274	CI	7-28-95	CH	ITEM 34 ADDED



NOTE:
APPLY SILICONE RUBBER
INTO THE GROOVE OF SIDE PLATES

ITEM	QTY	PART No.	DESCRIPTION
27	AS REQ	099-4195	SILICONE RUBBER
26	1	8063001	DRYER STABILIZER PLATE
25	4	022-406B	1/4-20 x 3/8 LG. SSS
24	4	023-440B	1/4-20 x 3/8 LG. S.H.F.C.
23	2	101-247B	ASS'Y, KNOB
22	2	063-4905	3/4 NPT PIPE PLUG
21	38	029-4200	*10-24*1" SELF TAP FLAT HD
20	4	023-4202	*8-32 x 3/8 FHCS
19	12	021-4203	*8-32 x 1/2 BHSCS
18	6	023-4303	*10-24 x 1/2 FHCS
17	6	026-4503	5/16 x 1/2 SHOULDER SCREW
16	2	091-4205	COLLAR, SPLIT
15	2	044-4027	SNAP RING
14	2	010-4106	BALL BEARING
13	2	201-3225	SHAFT
12	2	201-2982	ROLL SHELL
11	3	201-2981	SPACER
10	1	301-2813	WELDT, IN/OUT AIR
9	1	301-3009	ASSY BACKUP PLATE
8	1	8063000	PLATE DRYER MTG.
7	1	301-2820	COVER
6	1	201-2980	DEFLECTOR
5	1	201-2978	DIFFUSER, LOWER
4	4	201-2979	DIFFUSER
3	1	301-2821	EXHAUST CONDUIT
2	1	301-2819	DRIER SHELL
1	1	401-2862	SIDE PLATES - PAIR

GEOMETRIC SYMBOLS		MATERIAL	
SYMBOL	CHARACTERISTIC	FINISH	DATE
—	FLATNESS	STD DIM TOL	10-1-93
—	STRAIGHTNESS		
—	ALIGNMENT		
—	PARALLELISM		
—	SQUARENESS		
—	ROUNDNESS		
—	ANGULARITY		
—	ROUNDNESS		
—	CYLINDRICITY		
—	CONCENTRICITY		
—	ECCENTRICITY		
—	SYMMETRY		

SCALE FULL	THIS PRINT IS THE PROPERTY OF WESTERN LOGIC AND IS LOANED FOR ENGINEERING INFORMATION & REFERENCE. IT IS NOT TO BE REPRODUCED OR COPIED IN ANY MANNER WITHOUT THE WRITTEN PERMISSION OF WESTERN LOGIC AND ITS MANUFACTURE AND REPRODUCTION RIGHTS THEREOF.
DO NOT SCALE PRINT	DRAWING No. 401-2869

Debtron
A BIDDE CORPORATION

ASSY, DRYER HOOD

750 HWY 107
DRAWING No. 401-2869