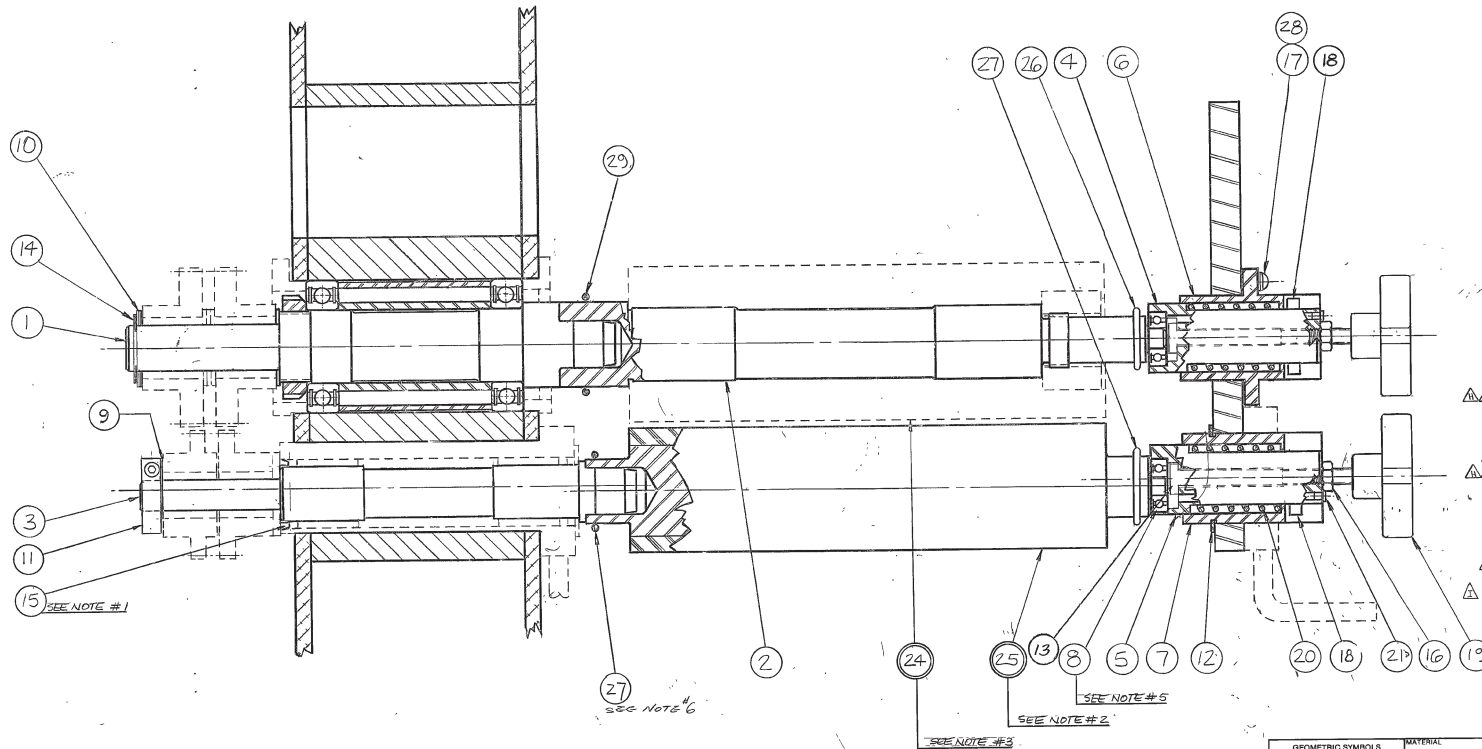


ECN NO.	REVISION	DATE	BY	DESCRIPTION
10179	A	11-20-91	BT	ITEM #11 964103 WAS 2496271 ITEM #20 754111 WAS 764116 ADDED ITEM #26 & #27 SEE NOTES 6
10364	B	02-09-92	BT	0902149 WAS 0904103
11093	C	07-26-92	SK	ITEM #17 WAS 499-4133 QTY (1) #6 WAS 201-2670 ITEM #19 WAS 90-4145, IT #26 WAS 26-2040 QTY (2) #27 WAS 46-2001 QTY (1) #28
11320	D	11-10-92	RC	IT. 3 WAS 301-2015; IT. 9 QTY WAS 2; DELETE IT. 11; IT. 14 QTY WAS 1; IT. 15 WAS 46-4026
11392	E	12-14-92	BT	0754126 WAS 0754127
11730	F	4-8-93	RC	DELETE 13-4047; QTY IT. 9 WAS 3; QTY IT. 14 WAS 2 ADDED COLLAR IN 041-4350 IT. 11
80685	G	12-04-94	RC	IT. 18 QTY WAS (2) FOR 401-2725; ADD IT. 23 TO 401-4008
81296	H	11-9-94	JD	IT. 9 WAS 2; IT. 10 WAS 3; ADD IT. 13; IT. 14 WAS 44-4472; IT. 19 WAS 90-4153; REMOVED IT. 23;
"	"	"	"	IT. 15 WAS 49-4150; IT. 1 WAS 311-2016
81384	J	02-20-96	TJB	ITEM #12 WAS QTY (1) REMOVED (2)
719161	O	07/09/01	DCW	ITEM #12 WAS 44-4639

- NOTES:
- 1) REMOVE EXISTING SEAL, PRIOR TO REASSEMBLING ITEM #15 INTO DR. ROLL ECCENTRIC.
  - 2) REFER TO DRAWING #300-2698, FOR DR. ROLL SELECTIONS.
  - 3) ITEM # 2 CAN BE ELIMINATED IF CUSTOMER DOES NOT WISH TO USE EXISTING ANILOX ROLLS. REFER TO DRAWING #300-2699, FOR NEW STYLE ANILOX ROLL.
  - 4) FOR AIR TOOL LUBRICATION, USE ITEM # 22 (NOT SHOWN)
  - 5) PRESS ITEM # 8 AND ITEMS #4 & #5 MOUNT ITEM #8 WITH SEAL TRACING ROLLS
  - 6) ITEM #27 WILL RIDE ON DOCTOR ROLL.



903-2725 ASSY DR. ROLL ONLY  
 402-2725 ASSY ANILOX ROLL ONLY  
 401-2725 ASSY DR. & ANILOX ROLLS

QTY	ITEM	QTY	PART NO.	DESCRIPTION
1	20	1	45-4026	O-RING
6	28	6	40-4503	#10 RATCHET WASHER
2	27	2	45-4011	O-RING
1	26	1	45-4001	O-RING
25	REF		300-2698	DR. ROLL
24	REF			ANILOX ROLL (EXISTING)
1	22	1	93-4128	NOZZLE, GREASE FITTING (NOT SHOWN)
1	21	2	93-4127	FITTING, GREASE, FLUSH TYPE
1	20	2	75-4126	SPRING, COMP. 1.000X.075X2.50
1	19	2	101-2589	PULL KNAGS - QUICK CHANGE
1	2	18	30-4024	PNL, DOWEL, S.ST. 3/16 X 3/4
3	17	3	21-4505	#10-24 X 3/16 S.H.S.G.S.
1	16	2	47-4101	JPM NUT, 1/4-20UNC
15	1	15	46-4002	SEAL
1	15	1	46-4070	RING, RET. EXT. FOR 150 SHAF
1	13	2	101-2588	ROD BEARING RELEASE
1	12	1	44-4041	RING, RET. EXT. FOR 1500 SHAF
1	1	1	049-4350	CLAMPING COLLAR 1/2 I.D.
2	10	2	13-4032	WASHER, THRUST, 750X1.250X.030
1	9	1	13-4003	WASHER, THRUST, 500X.937X.030
1	8	2	10-4286	BEARING, 8mm X 22mm X 7mm
1	7	1	201-2671	CARTRIDGE, SPRING, ANILOX
1	6	1	201-3035	CARTRIDGE, SPRING, ANILOX
5	1	5	201-2669	CAP BEARING, DR. ROLL
1	4	1	201-2668	CAP BEARING, ANILOX
1	3	1	301-2011	SHAFT, DR. ROLL
2	2	2	301-2696	SHAFT, DUMMY ANILOX ROLL
1	1	1	301-2016	ASSY SHAFT, ANILOX ROLL

GEOMETRIC SYMBOLS	MATERIAL	FINISH	DATE	DESCRIPTION
□ FLATNESS — STRAIGHTNESS — ALIGNMENT L PARALLELISM L SQUARENESS L ROUNDNESS L ANGULARITY R ROUNDNESS R CONCENTRICITY R COINCIDENCE R SYMMETRY	FINISH STD DIM TOL XX ± .02 XXX ± .05 ANGLE ± '030	DATE 9/15/91	DATE 9/15/91	Debetron A DIBBE CORPORATION ASSY, ROLLER QUICKCHANGE DR. & ANILOX
PART TO BE FREE OF BURRS, SHARP EDGES AND SHARP CORNERS.		SCALE FULL		DRAWING NO. 400-2725
DO NOT SCALE PRINT		PARTS LIST		400-2725