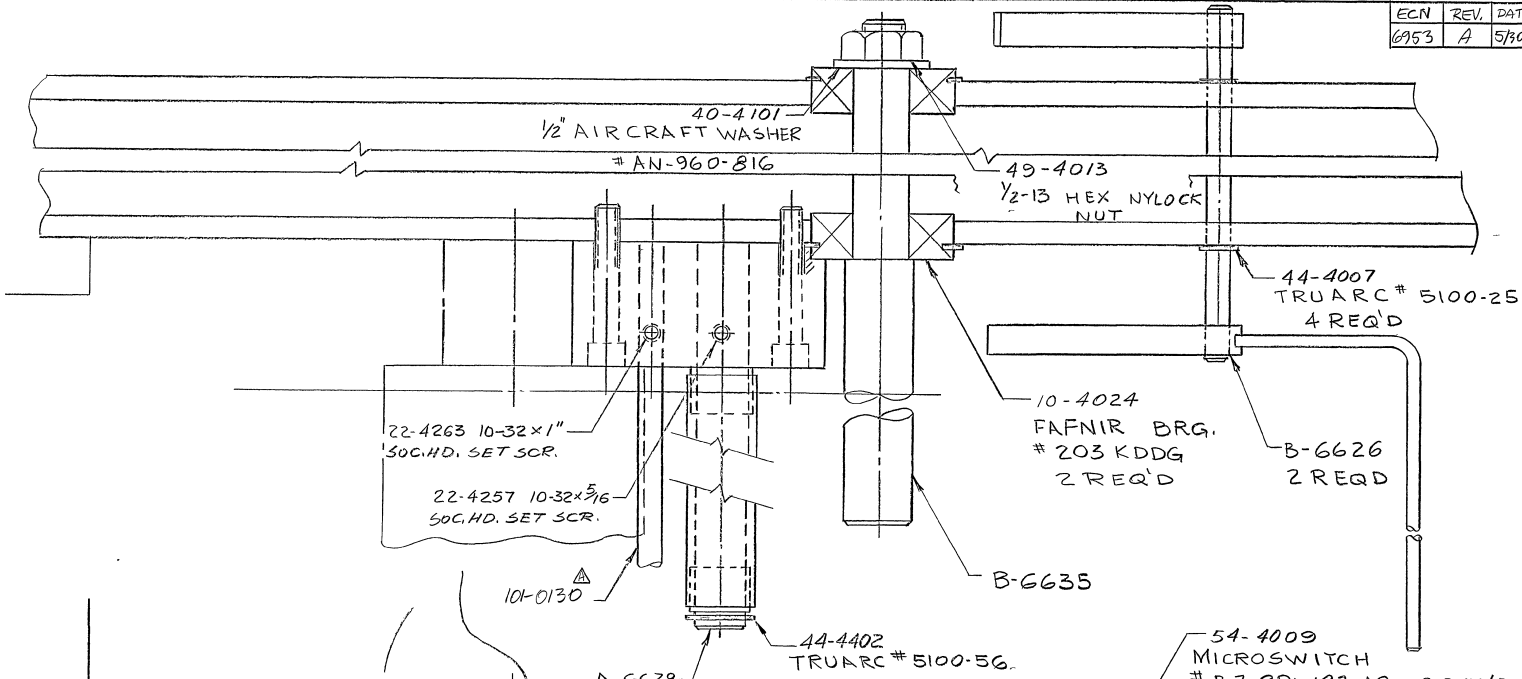
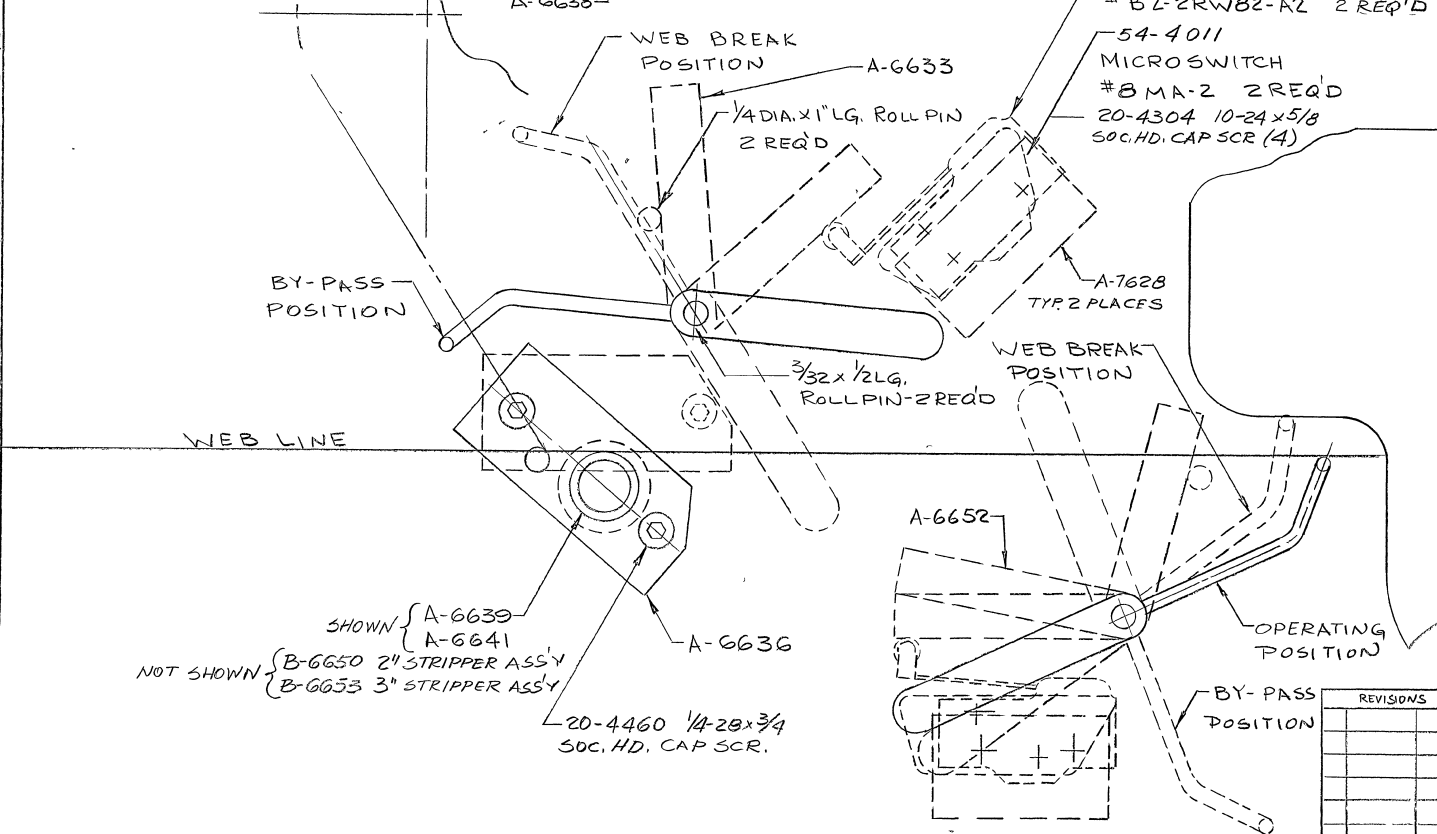


ECN	REV.	DATE	BY	DESCRIPTION
6953	A	5/30/68	SK	101-0130 WAS A-6637 DS



DIE STATION END PLATE



SHOWN { A-6639  
 A-6641  
 NOT SHOWN { B-6650 2" STRIPPER ASS'Y  
 B-6653 3" STRIPPER ASS'Y  
 A-6636  
 20-4460 1/4-28 x 3/4  
 SOC. HD. CAP SCR.

REVISIONS		WEBTRON CORP.	
		STRIPPER ASS'Y.	
		F.P.K.	SCALE FULL
			MATERIAL AS NOTED
		6-22-67	C-6625
			EDX A