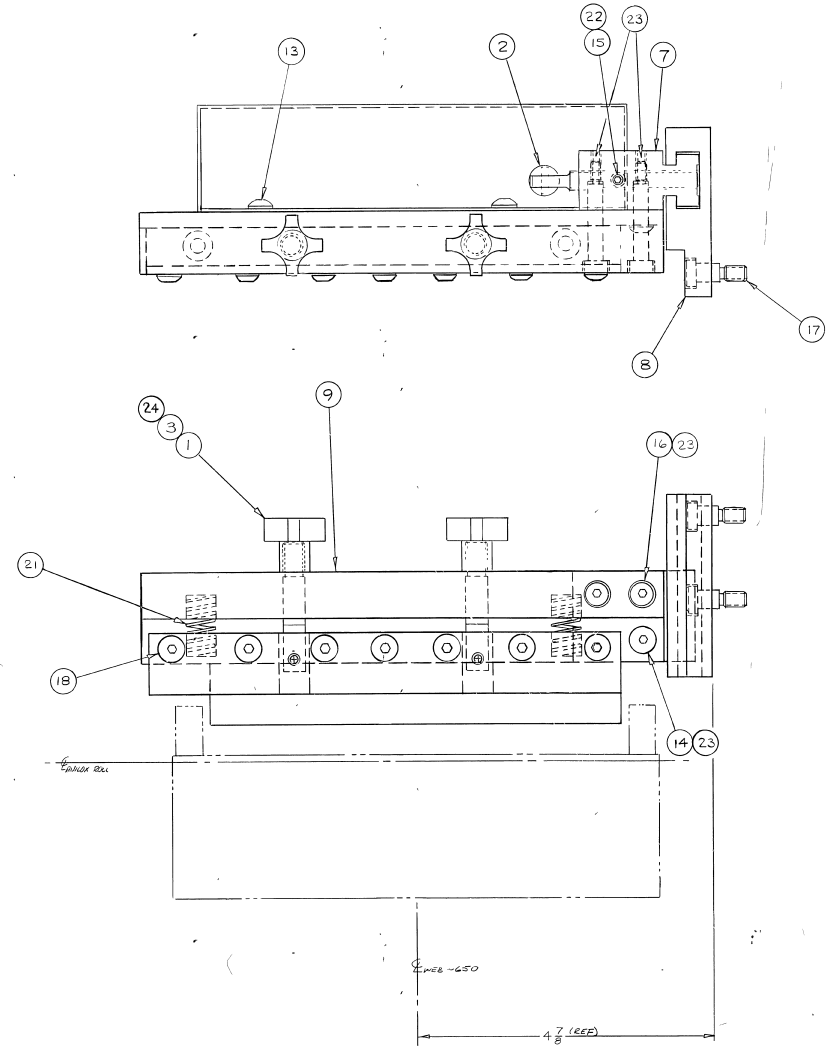
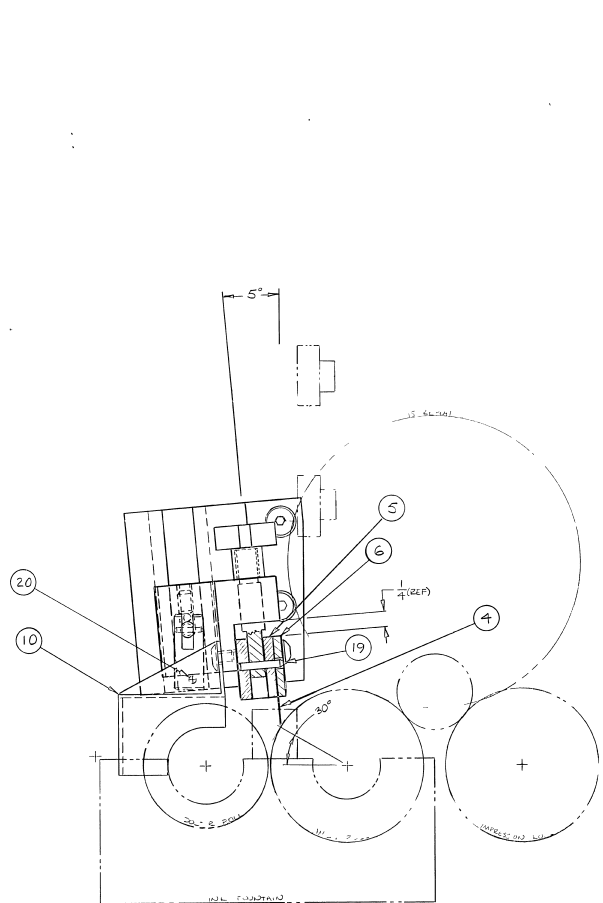


EDN NO	REVISION	DATE	BY	DESCRIPTION
8550	A	11/23/86	TE	202-0277 WAS 101-0289, 30-4294 WAS 30-4002, ADD 16-4007
8523	B	11/11/90	EP	29-4061 WAS 29-4062
10150	C	1/7/92	SK	29-4062 WAS 29-4061



ITEM QTY	PART NO.	DESCRIPTION
15	1	22-4526 1/4-20 x 1/4 FHSS
14	1	21-4408 1/4-20 x 3/4 BHSES
13	2	21-4301 #10-24 x 1/4 BHSES
12		
11		
10	1	302-0276 INK GUARD
9	1	301-0273 GUIDE BRACKET
8	1	201-0400 DOCTOR BLADE SUB
7	1	201-0459 MOUNTING BLOCK
6	1	201-0458 CLAMP
5	1	201-0457 HOLDER
4	1	202-0456 DOCTOR BLADE
3	2	202-0277 KNOB-STAR HANDLE
2	1	101-0283 LOCK SCREW ASSY
1	2	101-0282 ADJUSTING SCREW

ITEM QTY	PART NO.	DESCRIPTION
24	2	16-4007 OILITE TT-710-1
23	1	99-4223 SEALER-LOCTITE GASKET REMOVER
22	1	99-4063 3/4 DIA NYLON BALL
21	2	75-4038 SPRING
20	1	31-4206 1/8 DIA x 1/2 ROLL PIN
19	2	30-4004 1/8 DIA x 3/4 DOWEL PIN
18	7	29-4062 1/4-20 x 1/2 STAINLESS BHSES
17	2	26-4502 5/16 DIA x 3/8 SHOULDER SCREW
16	2	26-4408 1/4 DIA x 1 1/2 SHOULDER SCREW

NOTE: THIS ASSEMBLY SUPERSEDES D-7993
REFER TO 81-43-003 FOR '750' DOCTOR BLADE ASSY

GEOMETRIC SYMBOLS	MATERIAL	ITEM QTY	PART NO.	DESCRIPTION
□ FLATNESS	—	—	—	—
— STRAIGHTNESS	—	—	—	—
— ALIGNMENT	—	—	—	—
— PARALLELISM	—	—	—	—
— SQUARENESS	—	—	—	—
— RUNOUT	—	—	—	—
— ANGULARITY	—	—	—	—
— ROUNDNESS	—	—	—	—
— CYLINDRICITY	—	—	—	—
— CONCENTRICITY	—	—	—	—
— ECCENTRICITY	—	—	—	—
— SYMMETRY	—	—	—	—

FINISH	DATE	SCALE	DATE
—	9/11/86	FULL	—

ITEM QTY	PART NO.	DESCRIPTION
1	101-0146	REVERSE ANGLE DOCTOR BLADE ASSEMBLY

UNLESS OTHERWISE SPECIFIED, ALL DIMENSIONS ARE TO BE TAKEN FROM THE MANUFACTURING AND REPRODUCTION RIGHTS THEREOF.	THIS PRINT IS THE PROPERTY OF WEBSTON CORP. AND IS FURNISHED FOR ENGINEERING INFORMATION. IT IS TO BE RETURNED TO THE MANUFACTURING AND REPRODUCTION RIGHTS THEREOF.
DO NOT SCALE PRINT	650