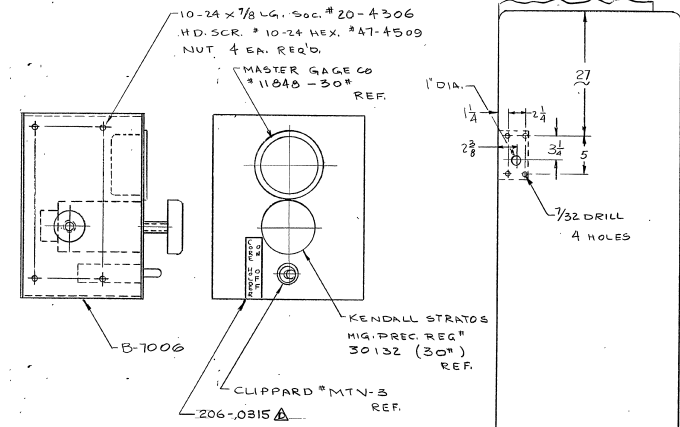
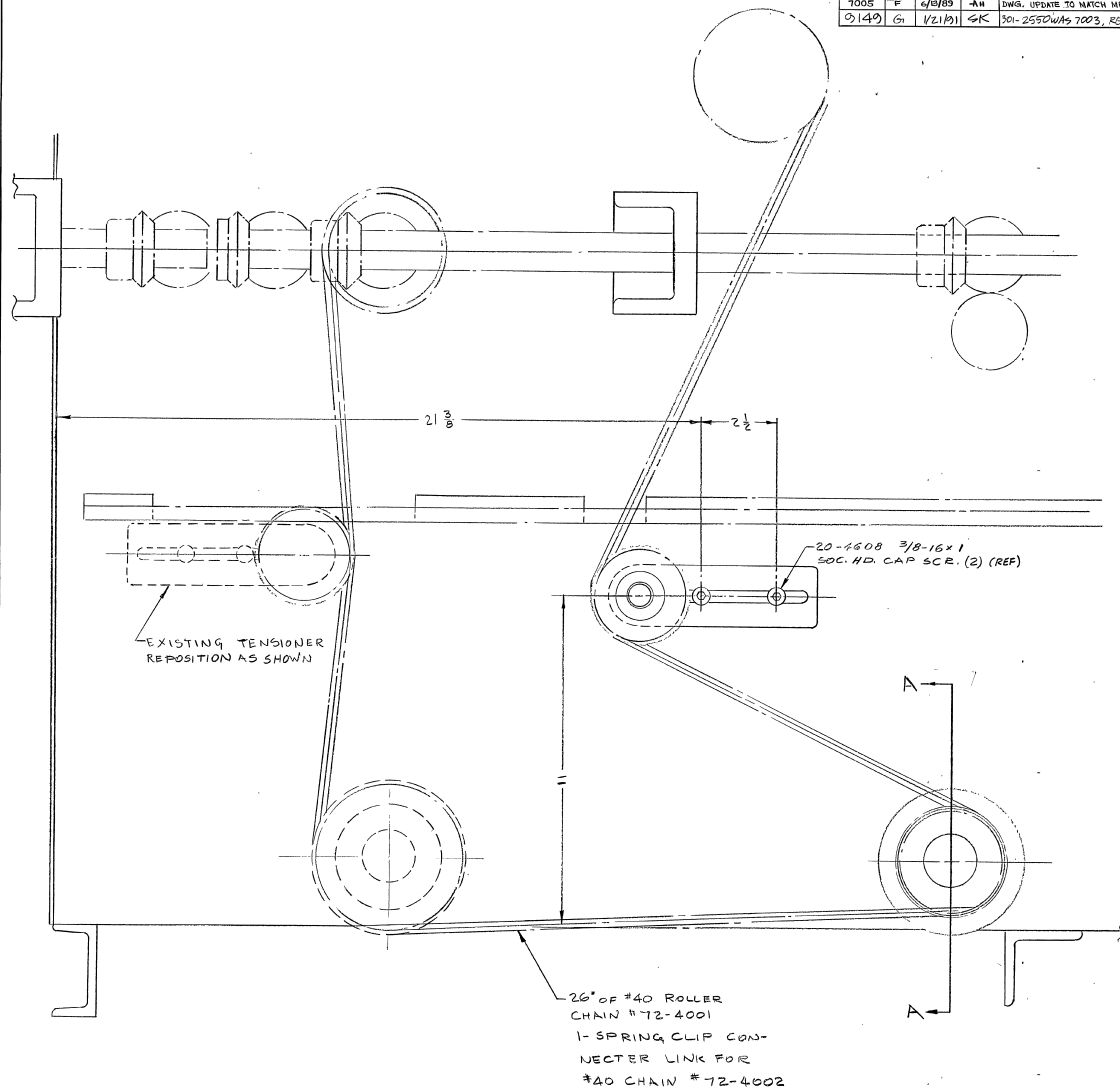


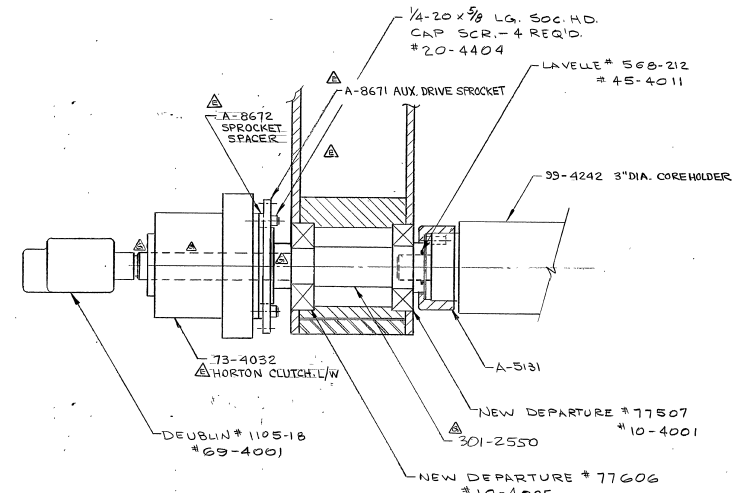
ECN NO.	REV.	DATE	BY	DESCRIPTION
7005	F	6/8/89	AH	DWG. UPDATE TO MATCH NRP II B.O.M. CLEAN-UP PROGRAM
5149	G	1/21/91	GK	301-2550 WAS 7003, REMOVED 44-1029, 8670, 8660

ECN NO.	REV.	DATE	BY	DESCRIPTION
6670	E	5/23/89	AH	206-0315 WAS A-6145; A-8672 WAS A-7002; A-8671 WAS A-3007; A-8670 WAS 37-4025; 73-1032 WAS 73-1001



NOTE:
FOR PNEUMATIC ADD-
ITIONS SEE B-7008

HOLE ADDITIONS TO
PRESS - R.H. END



GEOMETRIC SYMBOLS		MATERIAL	ITEM	QTY.	PART NO.	DESCRIPTION
SYMBOL / CHARACTERISTIC	FINISH	STD. DIM. TOL.	DRW. BY	DATE	DATE	Wabtron CORPORATION <small>A SUBSIDIARY OF GENERAL ELECTRIC CORPORATION</small> AUX. PRODUCT REWIND
□ FLATNESS — STRAIGHTNESS // ALIGNMENT // PARALLELISM ⊥ SQUARENESS R RADIUS ∠ ANGULARITY ∅ ROUNDNESS ∅ CYLINDRICITY ∅ CONCENTRICITY ∅ ECCENTRICITY ∅ SYMMETRY	~ FINISH ± DEC. ± .005 ± FRAC. ± .015 ± ANGLE ± 0°30'	FPK 6-19-68 DATE	DATE	DATE	DATE	
UNLESS OTHERWISE SPECIFIED ALL MACHINED SURFACES TO BE .125 DO NOT SCALE PRINT		SCALE		THIS PRINT IS THE PROPERTY OF WABTRON CORPORATION & IS LOANED FOR ENGINEERING PURPOSES ONLY. IT IS NOT TO BE REPRODUCED, COPIED, MANUFACTURED AND REPRODUCTION WITHOUT PERMISSION.		DRAWING NO. D-7005

REVISION 6/11/89

MICROFILMED