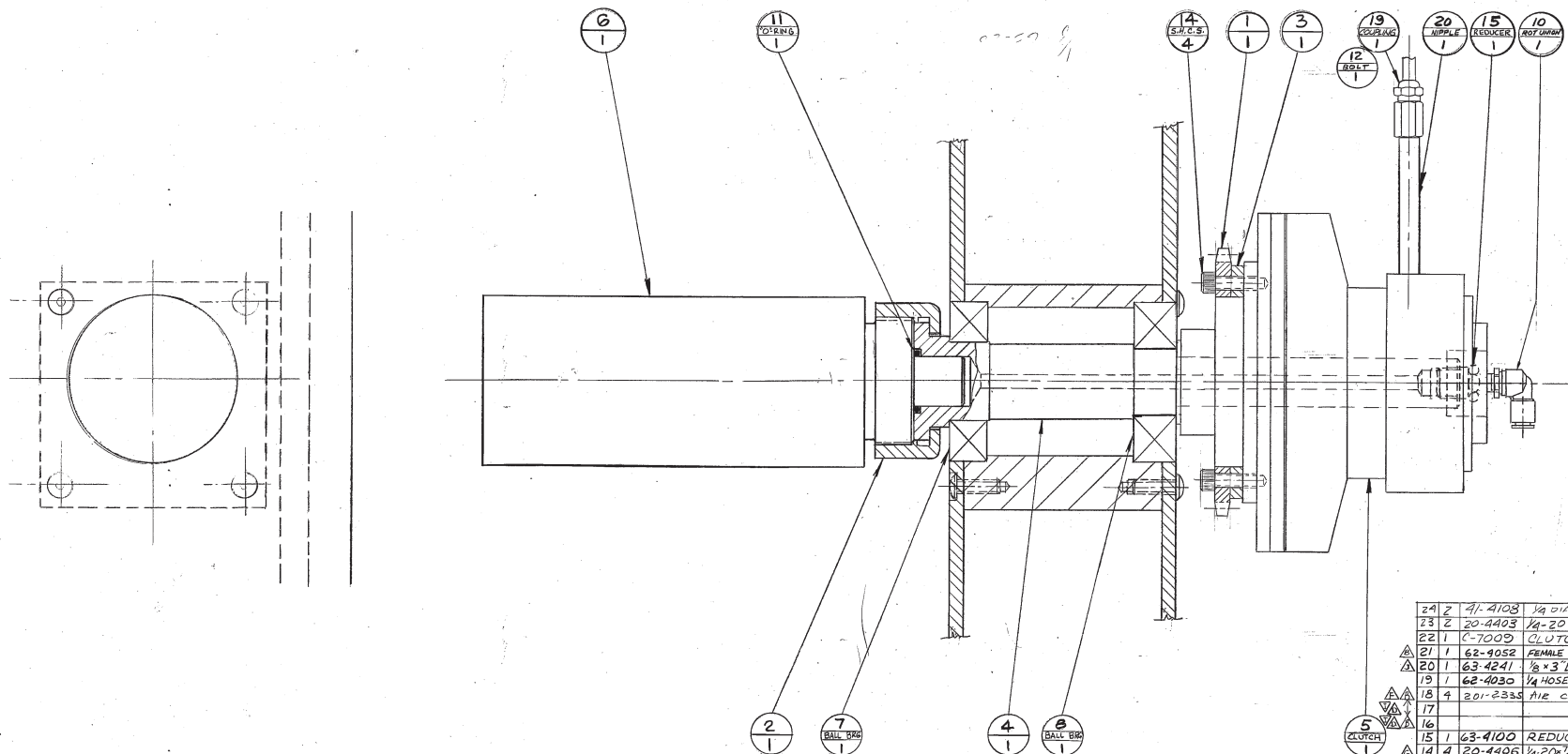


REV. NO.	REV.	DATE	BY	DESCRIPTION
A	3/20/79	MW		CLUTCH WAS 73-4007
1003	B	10/25/83	TE	REMOVED ITEMS 16, 17, 18; ADDED ITEM 21 62-4052
4143	C	7/14/87	TE	ITEM #'S WAS 178-4001
4305	D	9/4/87	TE	ITEMS 1 & 3 A-8671 & A-8672 WAS A-10017A-1002; ADDED ITEMS 14, 17
5873	E	10/31/88	AH	ITEM 6 99-4241 3" AIR CORE HOLDER (REWIND) WAS 99-4133
6089	F	12-2-88	ST	ADDED ITEM 18 - DIA. 201-2335
6242	G	3-20-89	RF	ITEM 14 - 1/2 DIA. 20-4406 WAS 1/2 DIA. 20-4404; REWIND PART # 9 (16-37-1005)
7009	H	6/13/89	AH	DWG. UPDATE TO MATCH MRP II B.O.M. CLEAN-UP PROGRAM
9149	I	1/21/91	GL	ITEM #4 WAS 7009, #2 178-4001, #10 10-4001, #16 WAS 62-4052, #18 WAS 201-2335
80117	J	6-11-93	RC	DELETE 69-4001; ADD 69-4040; 63-4241 QTY WAS 2



24	2	41-4103	1/4 DIA. LOCK WASHER (NOT SHOWN)
23	2	20-4403	1/4-20 x 1/2 LG. S.H.C.S. (NOT SHOWN)
22	1	C-7009	CLUTCH SHIELD (NOT SHOWN)
21	1	62-9052	FEMALE ELBOW (NOT SHOWN)
20	1	63-4241	1/8 x 3 LG. PIPE NIPPLE
19	1	62-4030	1/4 HOSE TO 1/4 PIPE FEMALE CHANG
18	4	201-2335	NIE COREHOLDER SCALE (SHOWN)
17			
16			
15	1	63-4100	REDUCER
14	4	20-4406	1/4-20 x 1/2 LG. S.H.C.S.
13			
12	1	29-4010	CARRIAGE BOLT W/NUT
11	1	45-4011	O-RING
10	1	69-4040	ROTATING UNION
9	2	99-4126	CABLE TIE (NOT SHOWN)
8	1	10-4005	BEARING N.D. #77606
7	1	10-4001	BEARING N.D. #77507
6	1	99-4241	3" AIR CORE HOLDER (REWIND)
5	1	73-403A	HORTON CLUTCH
4	1	30-2550	DRIVE SHAFT
3	1	A-8672	SPACER-DRIVE SPROCKET
2	1	A-5131	SPINDLE NUT
1	1	A-8671	DRIVE SPROCKET

REVISIONS			DESCRIPTION		
NO.	DATE	BY	Webtron Corporation A SUBSIDIARY OF GENERAL ELECTRIC CORPORATION		
1			REWIND ASS'Y. STD. DIM. TOL. DATE 5-19-80 SCALE FULL CHKD DEC. 1/300 FRAC. 1/16" DATE 5-19-80 DRAWING NO. D-7000 ANGLE 2 TOP DRAWN BY MW		
2					
3					
4					

NEXT ASSY. R-4500 NO. RECD. / UNIT