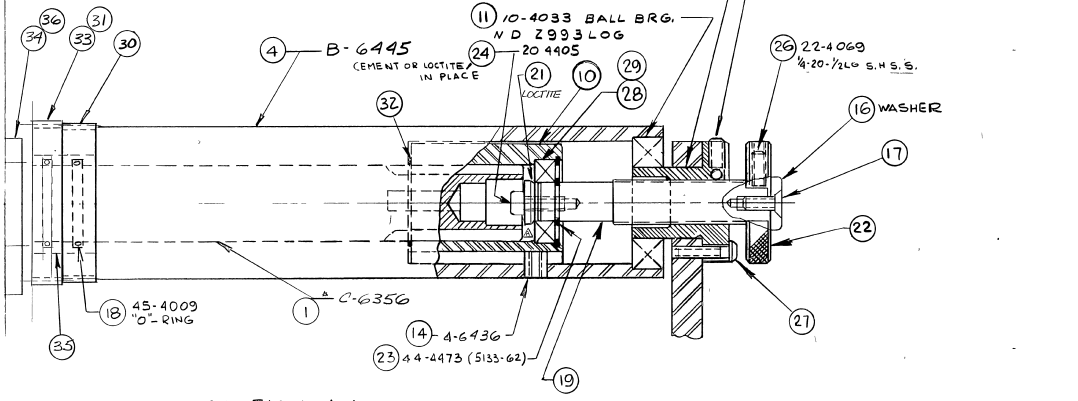
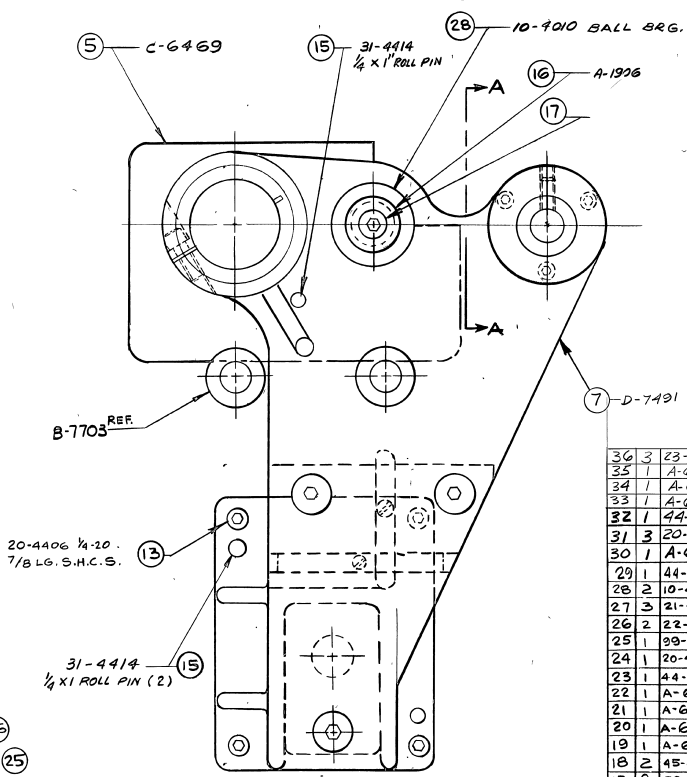
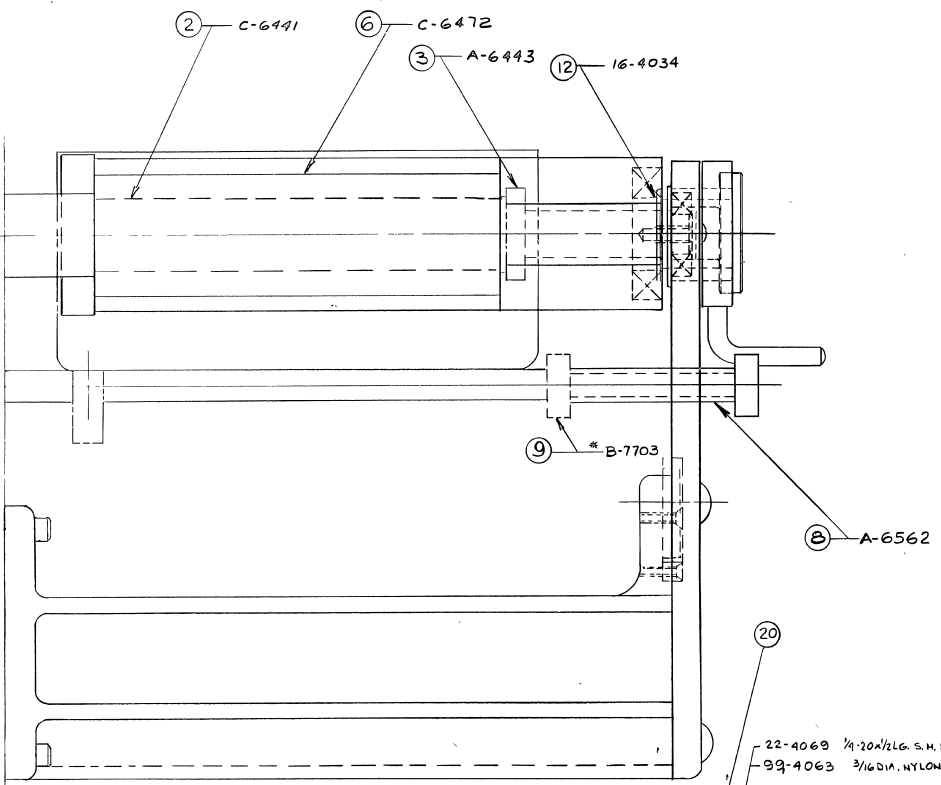


REV	DATE	BY	DESCRIPTION
1000*	1/15/49	SK	REVERSE W/SHWER (ITEM 21) 22



36	3	23-4365	#10-32 x 3/4 LG. F.H.C.S.
35	1	A-6337	SPACER
34	1	A-6349	BEARING RETAINER
33	1	A-6361	GEAR-1/2" I.D. 1 1/2" P.A. 126T
32	1	44-4037	RETAINING RING
31	3	20-4309	#10-24 x 1 1/2 LG. S.H.C.S.
30	1	A-6303	GEAR-32 D.P. 1 1/2" P.A. BOT
29	1	44-4228	RETAINING RING
28	2	10-4010	BALL BRG. N.D.# 77-R10
27	3	21-4306	#10-24 x 7/8 LG. B.H.S.C.S.
26	2	22-4069	1/4-20 x 1/2 LG. S.H.S.S.
25	1	99-4063	3/16 DIA. NYLON BALL
24	1	20-4405	1/4-20 x 9/8 LG. S.H.C.S.
23	1	44-4473	RET. E-RING TRAMP 5133-62
22	1	A-6591	REGISTER ADJ. KNOB
21	1	A-6588	BRG. WASHER
20	1	A-6437	BRG.- FLANGE
19	1	A-6537	REGISTER ADJ. ROD
18	2	45-4009	O-RING
17	2	29-4046	1/4-20 x 1/2 LG. F.H.S.S.
16	2	A-1906	WASHER
15	3	31-4414	1/4 DIA. x 1" LG. ROLL PIN
14	1	A-6436	PULL-OUT DOWEL PIN
13	4	20-4406	1/4-20 x 7/8 LG. S.H.C.S.
12	2	16-4034	OILITE #TT-1503-2
11	1	10-4033	BALL BRG. N.D.# Z993 LOG
10	1	A-6621	REG. ADJ. CAM
9	2	B-7703	FOUNTAIN RET. SCREW
8	1	A-6562	FOUNTAIN RET. SCREW ASS'Y.
7	1	D-7491	OUTBRD. SUPP. PRINT STA. ASS'Y.
6	1	C-6472	32D.P. DOUBLE SUPP. DOC. ROLL
5	1	C-6469	INK FOUNT. ASS'Y (WITHOUT THE PUMP)
4	1	B-6445	32D.P. SUPPORT IMP. ROLL
3	1	A-6443	ANILOX ROLL RET. NUT
2	1	C-6441	ANILOX ROLL SHAFT- BRG. ASS'Y.
1	1	C-6356	IMP. ROLL SHAFT & BRG. ASS'Y.

SECTION A-A

MICROFILMED

NEW DESIGN

ITEM	QTY.	PART NO.	DESCRIPTION
WEBTRON PRESSES			
32D.P. OUTBRD. SUPPORT PRINT STATION ASS'Y			
1			
2			
3			
4			
5			
6			
7			
8			
9			
10			
11			
12			
13			
14			
15			
16			
17			
18			
19			
20			
21			
22			
23			
24			
25			
26			
27			
28			
29			
30			
31			
32			
33			
34			
35			
36			
DATE	1-30-60	DESIGNED BY	
SCALE		DRAWN BY	
APPROVED		CHECKED	
			D-7480