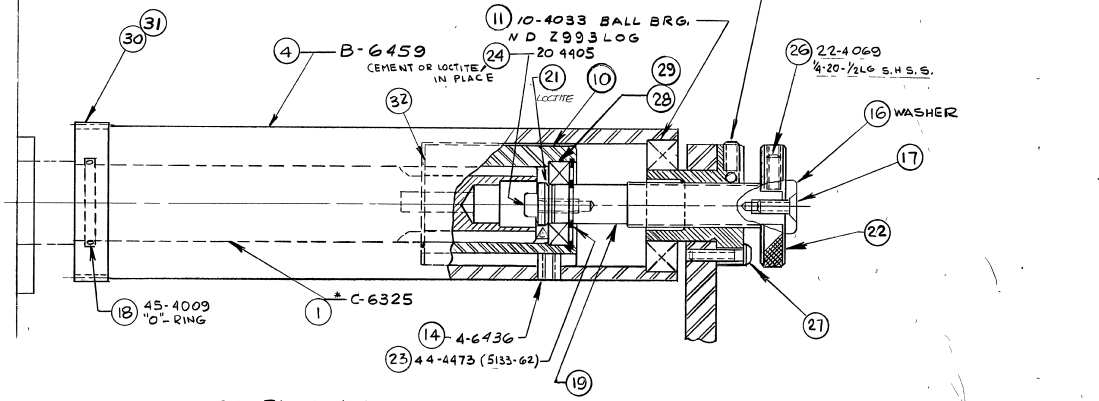
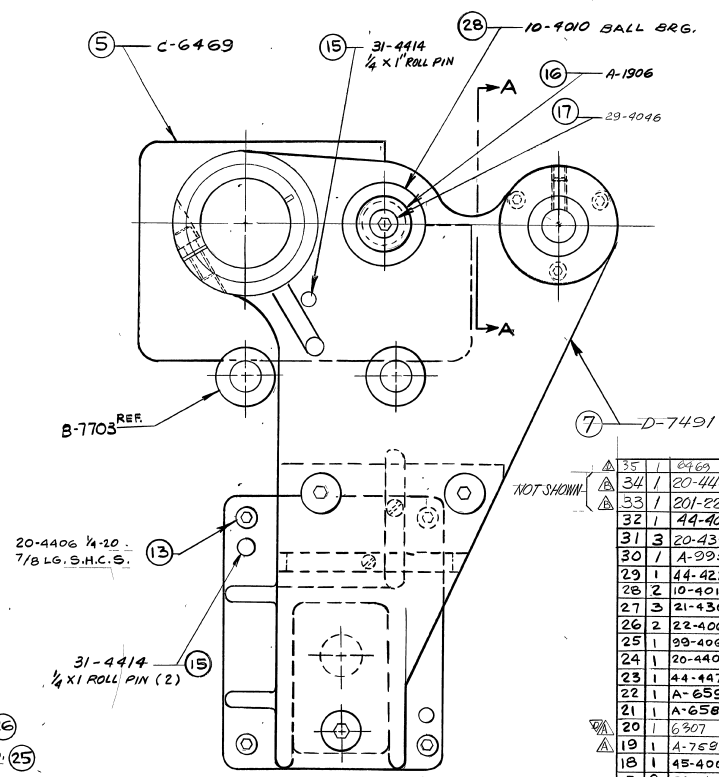
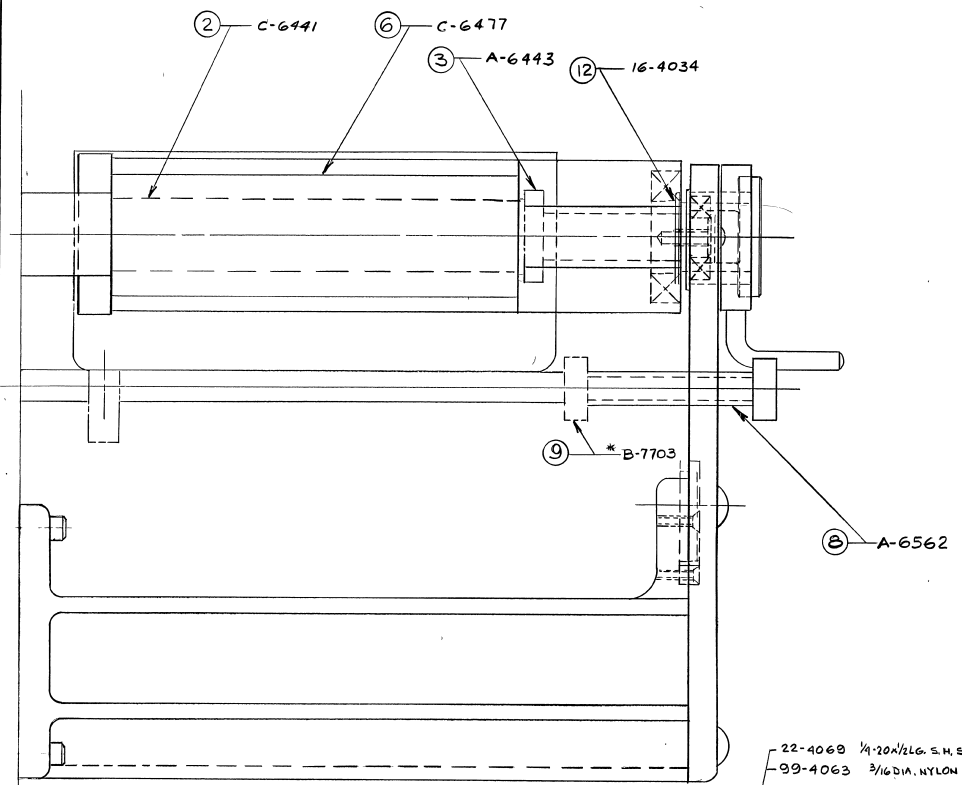


REV	BY	DATE	BY	DESCRIPTION
39	ST A	4/16/81	K.F.	REMOVED ITEMS 19 (A-6537) & 20 (A-6473), ADD ITEM 19 (A-7596)
58	39	10/27/80	DN	ADDED ITEMS 33 & 34
69	4	5/14/89	SK	REVEALED WASHER (ITEM 21) ✓
71	24	4/14/88	EK	ADDED ITEM # 20 & # 35



35	1	6969		INK FOUNDATION ASSEMBLY (NOT SHOWN)
34	1	20-4455		SHCS 1/4-28 x 3/4 LG
33	1	201-2250		CLAMP, SPLIT
32	1	44-4037		RETAINING RING
31	3	20-4307		10-24 x 1 LG. SH.C.S.
30	1	A-9952		GEAR-1/8 C.P. 20 P.A. 64T
29	1	44-4228		RETAINING RING
28	2	10-4010		BALL BRG. N.D.# 77-R10
27	3	21-4306		#10-24 x 7/8 LG. B.H.S.C.S.
26	2	22-4069		1/4-20 x 1/2 LG. S.H.S.S.
25	1	99-4063		3/16 DIA. NYLON BALL
24	1	20-4405		1/4-20 x 5/8 LG. S.H.C.S.
23	1	44-4473		RET. E-RING TRIARC# 5133-62
22	1	A-6591		REGISTER ADJ. KNOB
21	1	A-6588		BRG. WASHER
20	1	6307		GEAR SPACER (NOT SHOWN)
19	1	A-7596		BEG FLANGE & ROD ASSY. 1
18	1	45-4009		O-RING
17	2	29-4046		1/4-20 x 1/2 LG. F.H.S.S.
16	2	A-1906		WASHER
15	3	31-4414		1/4 DIA. x 1 LG. ROLL PIN
14	1	A-6436		PULL-OUT DOWEL PIN
13	4	20-4406		1/4-20 x 7/8 LG. S.H.C.S.
12	1	16-4034		OILITE # TT-1503-2
11	1	10-4033		BALL BRG. N.D.# Z993 LOG
10	1	A-6621		REG. ADJ. CAM
9	2	B-7703		FOUNTAIN RET. SCREW

SECTION A-A

REV	DATE	BY	DESCRIPTION
1			WEBTRON PRESSES
2			TYPE C SET 200 P.A.
3			OUTBOARD SUPPORT
4			PRINT STATION ASSY
5			E.M.
6			FULL
7			7-30-80
8			D-7494

NEW DESIGN