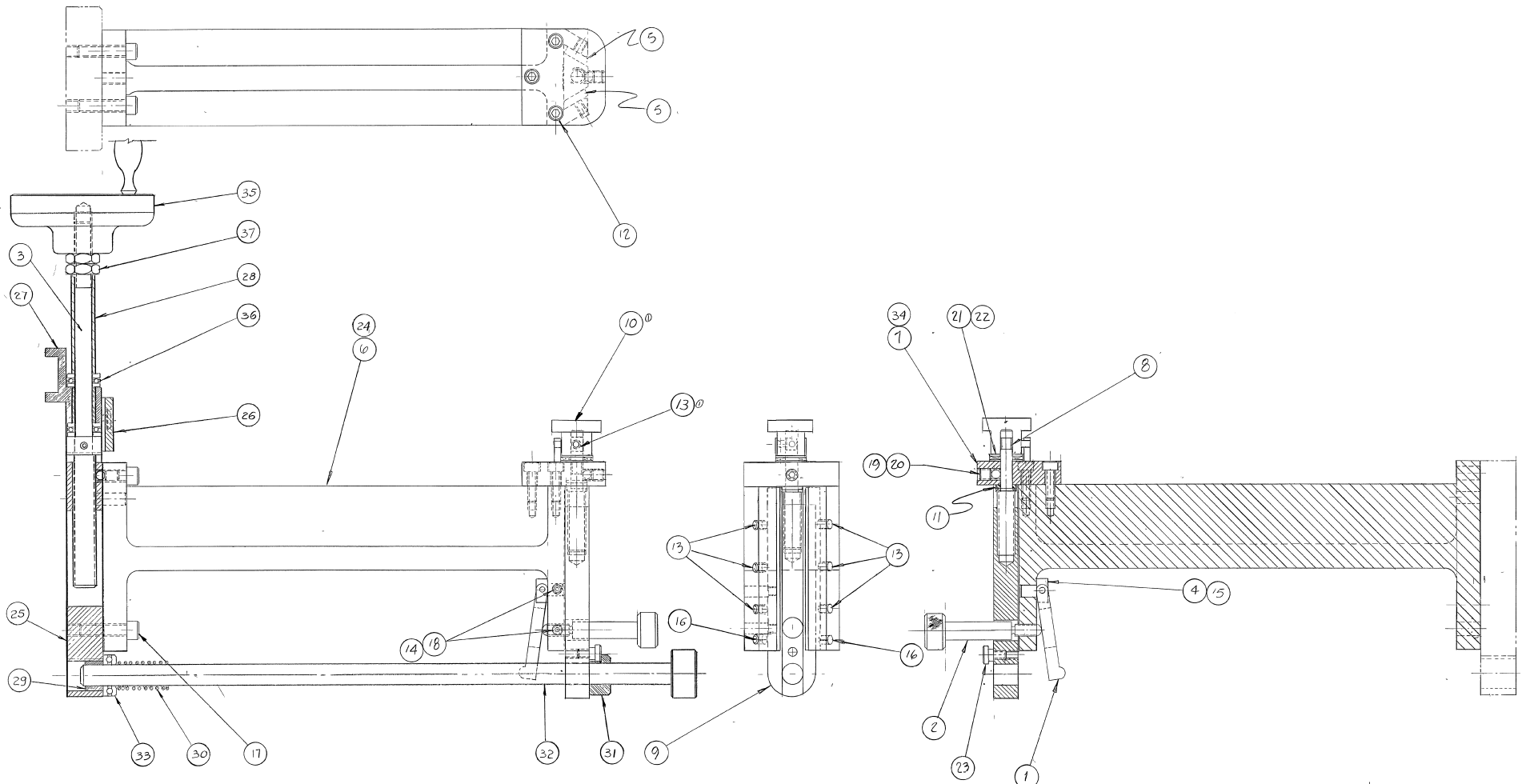


ECN	REV	DATE	BY	DESCRIPTION
362	A	5-58	TF	ITEM #12 QTY WAS 2 NOW 3. ADDED PIN 31-4211 (REV 2)
1232	B	2-21-89	RF	ITEM # 17 & 25 QTY 2 WAS 1 ADDED ITEM #26 (1-1232), 3062-440) & 5712-462)



REVISIONS			Webtron Corporation	
NO	DATE	BY	A SUBSIDIARY OF GENERAL BRIDGE CORPORATION	
1	8-12-77	S.A.	ADJUSTABLE BRIDGE ASSY	
2			STD DIM TOL	SCALE FULL
3			FINI	DRWD
4			DATE 2-16-76	DESIGNED BY
5			ISSN BY	DRAWN BY D-6295