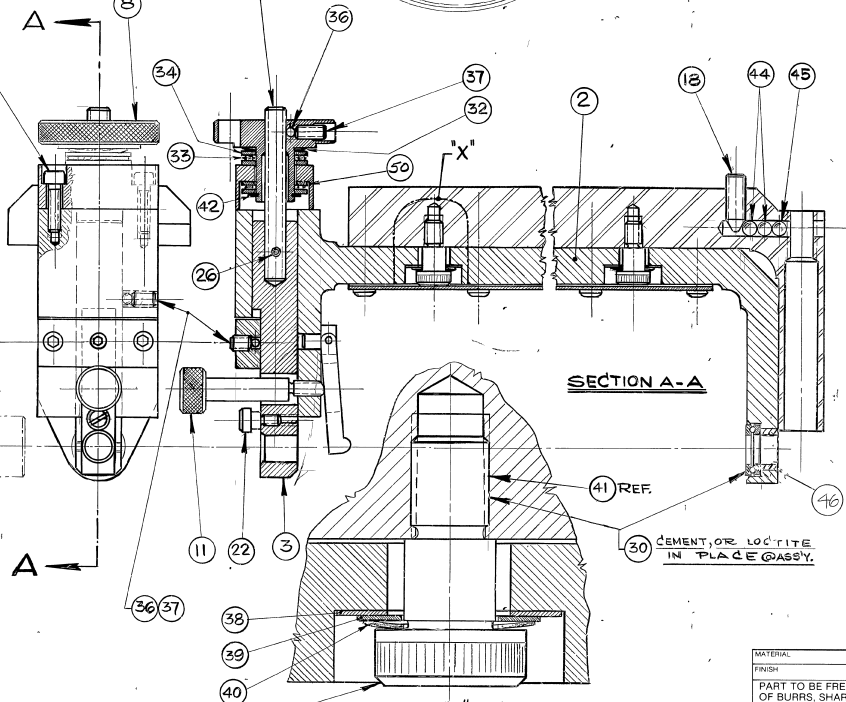
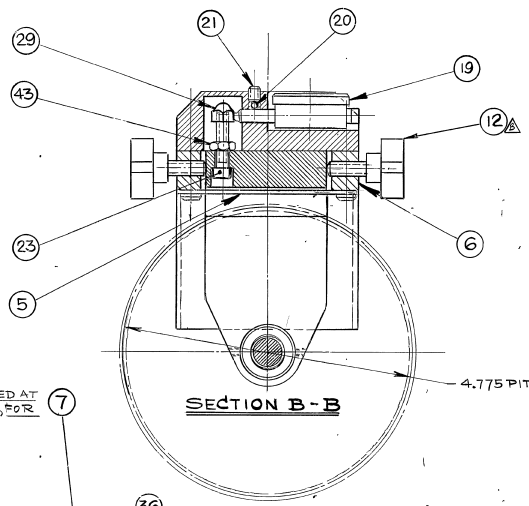


ITEM NO. 3 & 7 TO BE MOUNTED AT
ASSEMBLY DRILL 5/32 DIA. THRU FOR
ITEM NO. 26



REV	DATE	BY	DESCRIPTION
1	11/11	ADD	ADD 20-1879, 21-1879
2	11/11	REV	REVISED ITEM #40 (REV 1) ITEM #41 (REV 1)
3	11/11	J.R.	ITEM #1, 10-4316 WAS 30-4077
4	11/11	J.R.	ITEM #1 - 10-4316 WAS 30-4077
5	11/11	J.C.	ADDED ITEM #42, 10-4316 WAS 30-4077
6	11/11	J.C.	ADDED ITEM #43, 10-4316 WAS 30-4077
7	11/11	J.C.	ADDED ITEM #44, 10-4316 WAS 30-4077
8	11/11	J.C.	ADDED ITEM #45, 10-4316 WAS 30-4077
9	11/11	J.C.	ADDED ITEM #46, 10-4316 WAS 30-4077
10	11/11	J.C.	ADDED ITEM #47, 10-4316 WAS 30-4077
11	11/11	J.C.	ADDED ITEM #48, 10-4316 WAS 30-4077
12	11/11	J.C.	ADDED ITEM #49, 10-4316 WAS 30-4077
13	11/11	J.C.	ADDED ITEM #50, 10-4316 WAS 30-4077
14	11/11	J.C.	ADDED ITEM #51, 10-4316 WAS 30-4077
15	11/11	J.C.	ADDED ITEM #52, 10-4316 WAS 30-4077
16	11/11	J.C.	ADDED ITEM #53, 10-4316 WAS 30-4077
17	11/11	J.C.	ADDED ITEM #54, 10-4316 WAS 30-4077
18	11/11	J.C.	ADDED ITEM #55, 10-4316 WAS 30-4077
19	11/11	J.C.	ADDED ITEM #56, 10-4316 WAS 30-4077
20	11/11	J.C.	ADDED ITEM #57, 10-4316 WAS 30-4077
21	11/11	J.C.	ADDED ITEM #58, 10-4316 WAS 30-4077
22	11/11	J.C.	ADDED ITEM #59, 10-4316 WAS 30-4077
23	11/11	J.C.	ADDED ITEM #60, 10-4316 WAS 30-4077
24	11/11	J.C.	ADDED ITEM #61, 10-4316 WAS 30-4077
25	11/11	J.C.	ADDED ITEM #62, 10-4316 WAS 30-4077
26	11/11	J.C.	ADDED ITEM #63, 10-4316 WAS 30-4077
27	11/11	J.C.	ADDED ITEM #64, 10-4316 WAS 30-4077
28	11/11	J.C.	ADDED ITEM #65, 10-4316 WAS 30-4077
29	11/11	J.C.	ADDED ITEM #66, 10-4316 WAS 30-4077
30	11/11	J.C.	ADDED ITEM #67, 10-4316 WAS 30-4077
31	11/11	J.C.	ADDED ITEM #68, 10-4316 WAS 30-4077
32	11/11	J.C.	ADDED ITEM #69, 10-4316 WAS 30-4077
33	11/11	J.C.	ADDED ITEM #70, 10-4316 WAS 30-4077
34	11/11	J.C.	ADDED ITEM #71, 10-4316 WAS 30-4077
35	11/11	J.C.	ADDED ITEM #72, 10-4316 WAS 30-4077
36	11/11	J.C.	ADDED ITEM #73, 10-4316 WAS 30-4077
37	11/11	J.C.	ADDED ITEM #74, 10-4316 WAS 30-4077
38	11/11	J.C.	ADDED ITEM #75, 10-4316 WAS 30-4077
39	11/11	J.C.	ADDED ITEM #76, 10-4316 WAS 30-4077
40	11/11	J.C.	ADDED ITEM #77, 10-4316 WAS 30-4077
41	11/11	J.C.	ADDED ITEM #78, 10-4316 WAS 30-4077
42	11/11	J.C.	ADDED ITEM #79, 10-4316 WAS 30-4077
43	11/11	J.C.	ADDED ITEM #80, 10-4316 WAS 30-4077
44	11/11	J.C.	ADDED ITEM #81, 10-4316 WAS 30-4077
45	11/11	J.C.	ADDED ITEM #82, 10-4316 WAS 30-4077
46	11/11	J.C.	ADDED ITEM #83, 10-4316 WAS 30-4077
47	11/11	J.C.	ADDED ITEM #84, 10-4316 WAS 30-4077
48	11/11	J.C.	ADDED ITEM #85, 10-4316 WAS 30-4077
49	11/11	J.C.	ADDED ITEM #86, 10-4316 WAS 30-4077
50	11/11	J.C.	ADDED ITEM #87, 10-4316 WAS 30-4077
51	11/11	J.C.	ADDED ITEM #88, 10-4316 WAS 30-4077
52	11/11	J.C.	ADDED ITEM #89, 10-4316 WAS 30-4077
53	11/11	J.C.	ADDED ITEM #90, 10-4316 WAS 30-4077

REV	DATE	BY	DESCRIPTION
1	11-18-79		RET. COLLAR - PLATE ROLL SH. FT.
2	11-18-79		PLATE ROLL SHAFT
3	11-18-79		SPACE WASHER #TEA-1018
4	11-18-79		BEARING
5	11-18-79		3/8-16 JAN. NUT
6	11-18-79		BHSCS 6-32 X 1/4
7	11-18-79		DRILL BUSHING
8	11-18-79		1/4 DIA. NYLON BALL
9	11-18-79		1/4 DIA. STEEL BALL
10	11-18-79		#10-24 HEX NUT
11	11-18-79		RET. RING .625 DIA. .035 THK.
12	11-18-79		3/8 DIA. 3/16 LG. SHOULDER SCR.
13	11-18-79		BELLEVILLE SPR. WASHER
14	11-18-79		THR. WASHER TORR. #TEA-613
15	11-18-79		THR. WASHER TORR. TRA-915
16	11-18-79		1/4-28 X 3/16 LG. S.H.S.S.
17	11-18-79		3/16 DIA. NYLON BALL
18	11-18-79		#10-24 X 7/16 LG. S.H.C.S.
19	11-18-79		THR. WASHER TORR. #TRB-1018
20	11-18-79		ROLLER ASSY TORR. #NTA-915
21	11-18-79		BELLEVILLE SPR. WASHER
22	11-18-79		COMP. SPRING
23	11-18-79		THRUST BEG. NICE #602 3/4
24	11-18-79		#10-24 ACORN NUT
25	11-18-79		1/8 DIA. X 7/16 LG. DOWEL PIN
26	11-18-79		#10-32 X 1/4 LG. S.H.S.S.
27	11-18-79		5/32 DIA. X 1/16 LG. ROLL PIN
28	11-18-79		#10-24 X 3/4 LG. B.H.S.C.S.
29	11-18-79		#10-24 X 1" LG. B.H.S.C.S.
30	11-18-79		#10-24 X 1 1/8" LG. B.H.S.C.S.
31	11-18-79		#10-24 X 1 1/4" LG. B.H.S.C.S.
32	11-18-79		LOCK SCREW - ACM #2
33	11-18-79		#10-24 X 1/4 LG. S.H.S.S.
34	11-18-79		NYLON BALL 1/2 DIA.
35	11-18-79		STARRETT DIAL IND #80-144 FLAT BACK
36	11-18-79		PUSH - SCREW
37	11-18-79		BEARING CLAMP TUBE
38	11-18-79		FRONT PLATE
39	11-18-79		HOLD DOWN BLOCK RETAINER
40	11-18-79		PLATE ROLL HOLD DOWN SCREW
41	11-18-79		VERT. ADJ. SCREW
42	11-18-79		ADJ. BRIDGE SCREW ASSY.
43	11-18-79		PLATE ROLL LAT. ADJ. SCREW
44	11-18-79		ADJ. LEVER
45	11-18-79		HINGE
46	11-18-79		REG. ADJUSTING KNOB
47	11-18-79		ADJ. SIDE SCREW
48	11-18-79		ADJ. BRIDGE STRIP
49	11-18-79		ADJ. BRIDGE COVER
50	11-18-79		THRUST PLATE
51	11-18-79		ADJ. BRIDGE SLIDE
52	11-18-79		ADJUSTABLE BRIDGE CASTING
53	11-18-79		ADJUSTABLE BRIDGE SUPPORT

MATERIAL: **GBC Cabtron Dresser**

FINISH: **ADJUSTABLE BRIDGE ASSY.**

SCALE: FULL (15" MAX. REPEAT)

DATE: 11-18-79

SCALE: FULL (15" MAX. REPEAT)

DO NOT SCALE PRINT