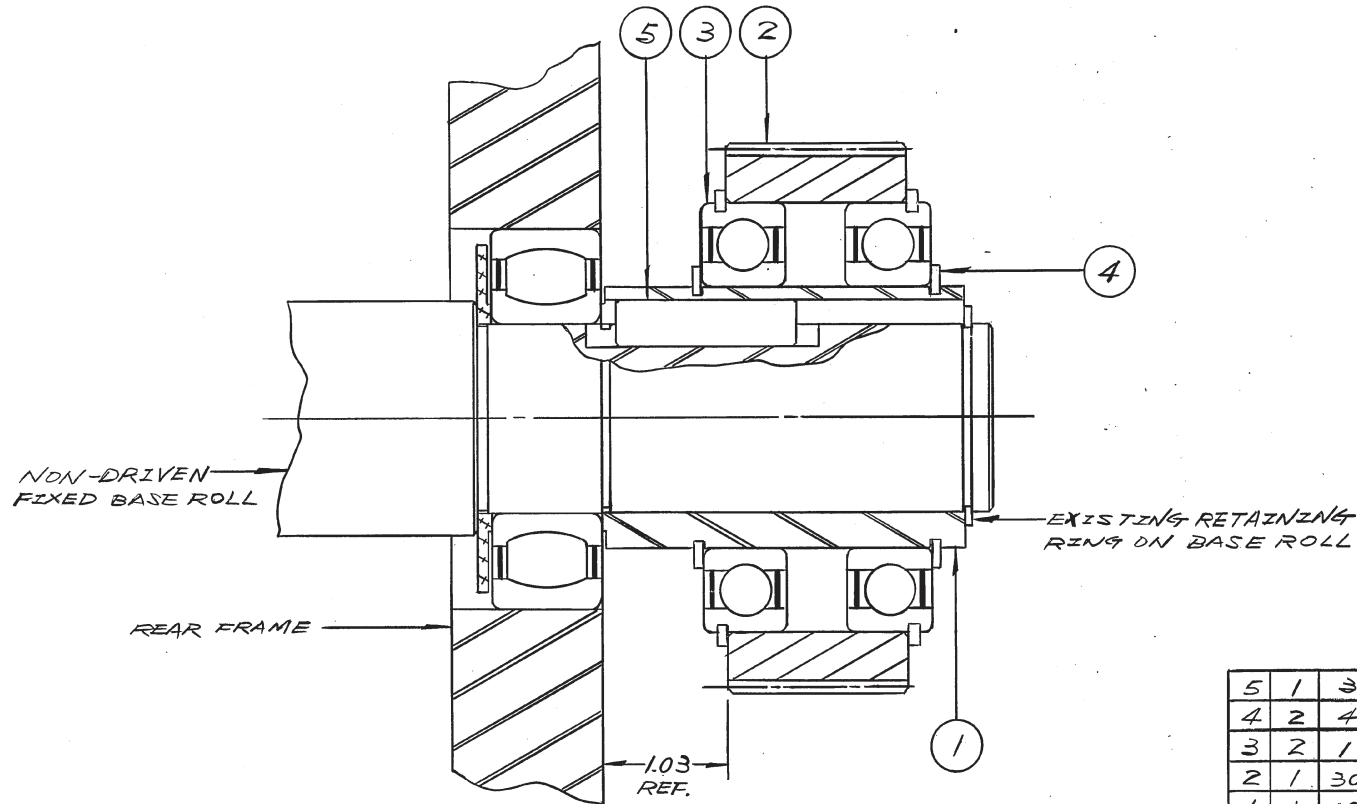


ECN. NO.	REVISION	DATE	BY	DESCRIPTION



5	1	38-4409	SQ. KEY, 3/8 X 1.50"
4	2	44-4432	INVERTED EXTERNAL RETAINING RING
3	2	10-4212	SEALED BALL BRNG. W/SNAP RING
2	1	306-0504	IDLE GEAR FOR STACKER (ENLARGED)
1	1	101-0507	ADAPTING SLEEVE

GEOMETRIC SYMBOLS	CHARACTERISTIC
	FLATNESS
	STRAIGHTNESS
	ALIGNMENT
	PARALLELISM
	SQUARENESS
	RUNOUT
	ANGULARITY
	ROUNDNESS
	CYLINDRICITY
	CONCENTRICITY
	ECCENTRICITY
	SYMMETRY

MATERIAL	FINISH
STD. DIM. TOL.	
FRAC.	± 1/16
XX	± .02
XXX	± .005
ANGLE	± 0°30'
PART TO BE FREE OF BURRS, SHARP EDGES AND SHARP CORNERS.	
DO NOT SCALE PRINT	

ITEM	QTY.	PART No.	DESCRIPTION
DRAWN BY: BEN FU 01/06/88			
DATE: 01/06/88			
CHK'D. BY:			
DATE:			
APPR. BY:			
DATE:			
SCALE FULL			
THIS PRINT IS THE PROPERTY OF WEBTRON CORP. AND IS FURNISHED FOR ENGINEERING INFORMATION & REFERENCE ONLY. WEBTRON RESERVES ALL PATENT, PROPRIETARY, DESIGN, USE, SALE, MANUFACTURE AND REPRODUCTION RIGHTS THERETO.			
PRESS	1000	ASSY	SUB ASSY
DRAWING No. 201-0836			REV.

W **Webtron CORPORATION**
A SUBSIDIARY OF GENERAL BINDING CORPORATION

IDLER GEAR ASSEMBLY FOR STACKER

301191

MICROFILMED