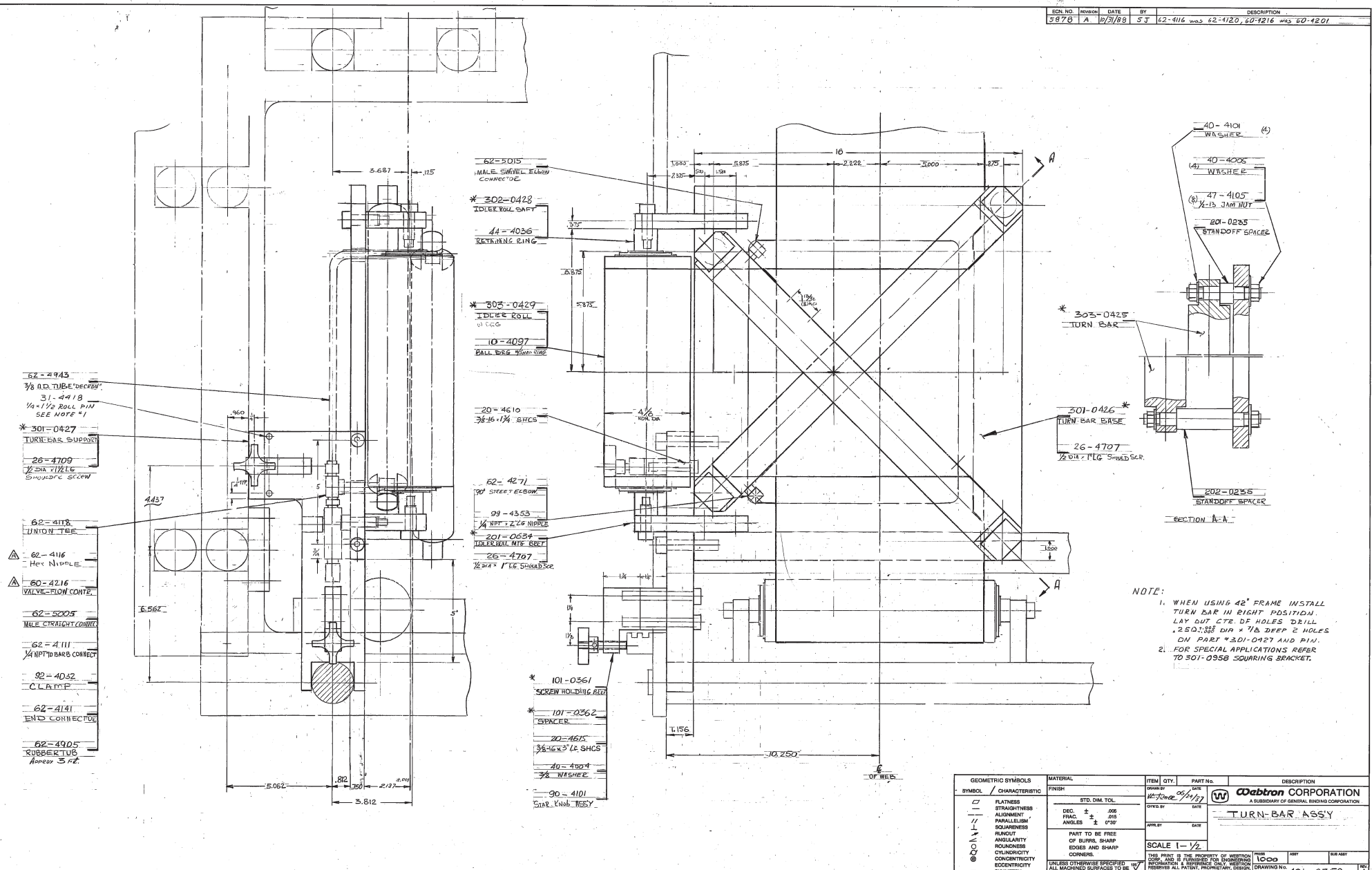


EDN. NO.	REVISION	DATE	BY	DESCRIPTION
3876	A	10/27/88	ST	62-4116 WAS 62-4120, 60-4216 WAS 60-4201



MICROFILMED

GEOMETRIC SYMBOLS		MATERIAL	ITEM QTY.	PART NO.	DESCRIPTION
—	FLATNESS	FINISH	DRAWN BY	DATE	Cobatron CORPORATION A SUBSIDIARY OF GENERAL BINDING CORPORATION TURN-BAR ASSY
—	STRAIGHTNESS	STD. DIM. TOL.	DESIGNED BY	DATE	
—	ALIGNMENT	DEC. ± .005	DATE	DATE	SCALE 1-1/2 1000 DRAWING NO. 401-0359
—	PARALLELISM	FRACTION ± .015	DATE	DATE	
—	SQUARENESS	ANGLES ± 0.50°	DATE	DATE	UNLESS OTHERWISE SPECIFIED ALL DIMENSIONS TO BE IN INCHES UNLESS OTHERWISE SPECIFIED ALL DIMENSIONS TO BE IN MILLIMETERS
—	PERPENDICULARITY	PART TO BE FREE OF BURRS, SHARP EDGES AND SHARP CORNERS.	DATE	DATE	
—	ANGULARITY	CONCENTRICITY	DATE	DATE	THIS PRINT IS THE PROPERTY OF WESTERN BINDING AND PUBLISHING CO. ANY INFORMATION OR REPRODUCTION WITHOUT THE WRITTEN PERMISSION OF WESTERN BINDING AND PUBLISHING CO. IS STRICTLY PROHIBITED.
—	ROUNDNESS	ECCENTRICITY	DATE	DATE	
—	CYLINDRICITY	SYMMETRY	DATE	DATE	RIGHTS THEREOF ARE RESERVED.