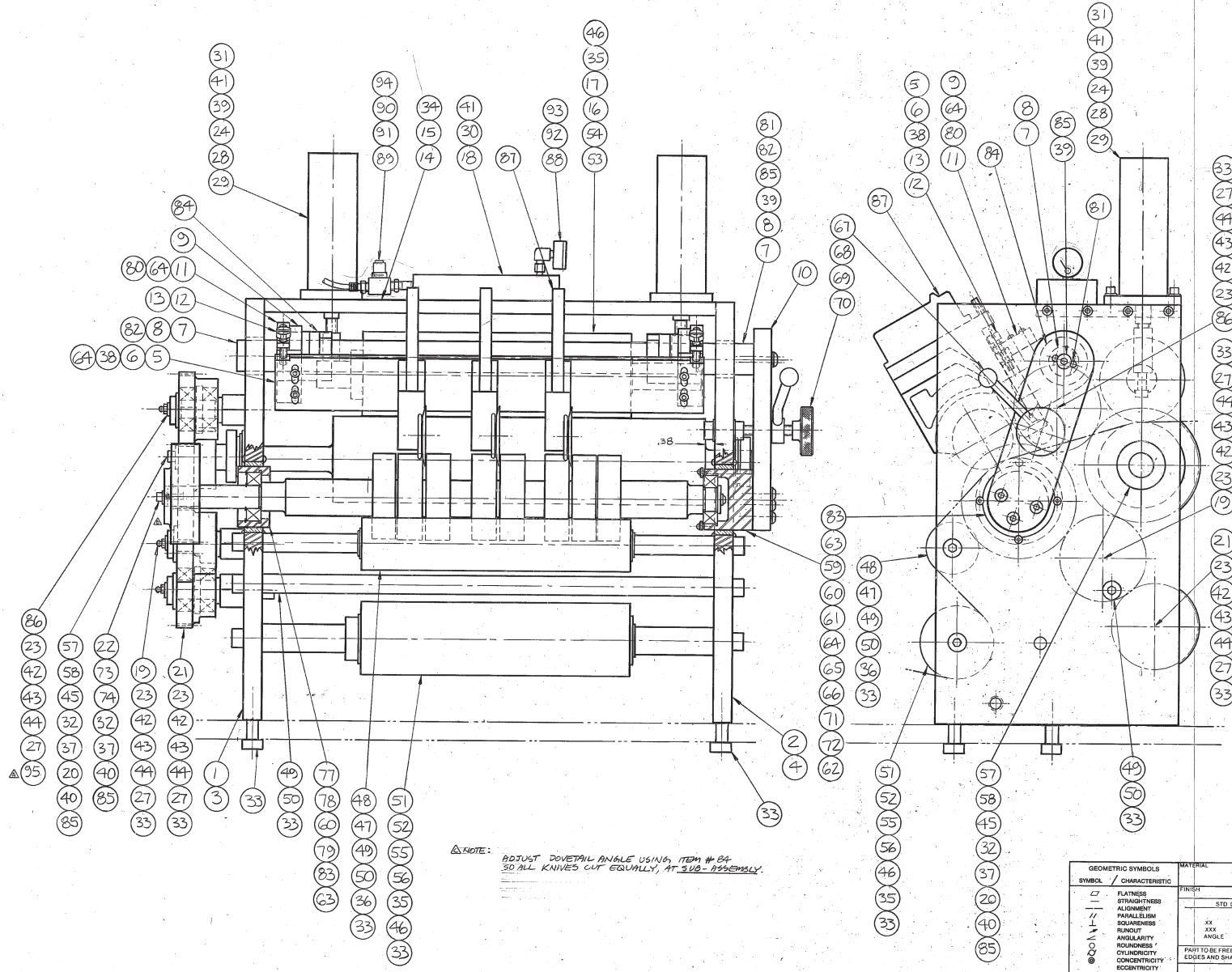


ECN#	REVISION	BY	DESCRIPTION
9984	1	WJW/SK	401-ASSY ONLY: ADDED ITEM #35, ITEM #33 AND QTY 10
10640	3	WJW/SK	REVERSED AND DISCREPANCY OF ITEM #22
10670	5	WJW/SK	ADDED NOTE

401-2684 ASSY/WR 401-2684 ASSY/WR



NOTE: ADJUST DOVETAIL ANGLE USING ITEM #84
30 ALL KNIVES CUT EQUALLY, AT SUB-ASSEMBLY.

QTY	ITEM	DESCRIPTION
1	99	1/2 DIA X 3/16" SHOULDER SCREW
1	94	62-4331 NIPPLE
1	93	62-4117 ELBOW
1	92	62-4121 ADAPTER
2	91	62-4121 BUSHING
1	90	62-4270 ADAPTER
1	99	62-4105 BUSHING
1	88	62-4082 SHAFT
3	87	93-4312 SHEAR CUT SLITTER ASSY (USA)
1	84	201-0905 IDLER BEARING
10	85	50-8509 3/4" SOCKET WASHER
2	84	71-4516 TERN BEARING BUSHING
2	83	10-0920 BUSHING
2	82	14-4050 BUSHING
4	81	30-4046 1/2" DIA X 1 1/4" DOVETAIL PIN
4	80	21-4407 1/2-20 X 1 1/4" B.U.S.C.S.
1	79	44-4232 RET. END, EXT.
1	78	01-0978 SLEEVE BEARING
3	76	93-4321 WCB SUPPORT
3	75	93-4322 ANVIL
1	74	402-2451 SHAFT, ANVIL
2	73	401-2451 SHAFT, ANVIL
2	72	40-4505 W/4" SOCKET WASHER
3	71	21-4507 1/2-18 X 1 1/4" B.U.S.C.S.
1	70	101-0695 SHMET CLAMP
1	69	201-2494 KNIFE ASSY
2	68	16-4006 THROT. WASHER
2	67	91-4136 COLLAR, THREADED
2	66	41-4103 1/4" LOCK WASHER
4	65	21-4407 1/2-20 X 1 1/4" B.U.S.C.S.
60	64	50 40-4504 1/2" SOCKET WASHER
17	63	21-4402 1/2-20 X 3/8" DIA. B.U.S.C.S.
1	61	10-2089 BUSHING
2	60	10-4053 BUSHING
1	59	201-2498 END BEARING
1	58	402-2451 ANVIL
1	57	401-2332 ROLL ROLL
1	56	316-0428 SHMET
1	55	316-0428 SHMET
1	54	302-0496 NIP ROLL
1	53	302-0496 NIP ROLL
1	52	101-0695 SHMET CLAMP
1	51	303-0621 1/2" IDLER ROLL ASSY
2	50	206-0692 SHMET
1	49	302-0632 SHMET ROLL 2 1/2" DIA
1	47	302-0494 IDLER ROLL 2 1/2" DIA
2	46	81-4136 COLLAR
2	45	10-4109 BUSHING
2	44	11-4130 BEARING ASSY
2	43	10-4065 LOCK NUT
2	42	10-4066 LOCK WASHER
10	41	20-4005 3/8-16 X 3/4" S.H.C.S.
2	40	20-4005 3/8-16 X 3/4" S.H.C.S.
3	39	20-4408 3/8-16 X 1 1/4" S.H.C.S.
4	38	21-4407 1/2-20 X 1 1/4" B.U.S.C.S.
4	37	22-4523 3/4-24 X 1 1/4" SET SCREW
2	36	44-4027 SHAP. END, EXT. (SMALL)
6	35	44-4056 SHAP. END, EXT. (LARGE)
6	34	26-4505 1/2" DIA X 1 1/4" SHOULDER SCREW
12	33	10 26-4707 1/2" DIA X 1 1/4" SHOULDER SCREW
2	32	38-4103 3/4" SQ. KEY X 3/4" DIA
2	31	41-4108 1/2" LOCK WASHER
1	30	63-4051 PIPE PLUG
2	29	61-4095 AIR CYLINDER
2	28	61-5108 MOUNTING KIT
2	27	93-4105 OVERSIZE FITTING
1	26	93-4411 LABEL-NIP
1	25	93-4394 LABEL-KNIFE
2	24	203-0496 IDLER STUD
1	23	201-0905 IDLER BEARING
1	22	201-2493 BEARING (WIDE)
1	21	4-4709 MANIFOLD
1	20	201-0905 NIP ROLL SHAFT
1	19	201-0905 NIP ROLL SHAFT
1	18	1-4-2709 MANIFOLD
1	17	201-0905 NIP ROLL SHAFT
1	16	201-0905 NIP ROLL SHAFT
1	15	304-0787 TOP PLATE
1	14	303-0787 TOP PLATE
2	13	44-4007 RET. END, EXT.
2	12	101-2124 ADJUSTER
2	11	201-2748 BARRETT ADJUSTER
1	10	201-2741 TIE
2	9	201-2749 PIVOT
1	8	202-2752 SHAFT, DOVETAIL, INT.
1	7	201-2752 SHAFT, DOVETAIL, INT.
1	6	202-2753 DOVETAIL, ADJUSTABLE
1	5	201-2753 DOVETAIL, ADJUSTABLE
1	4	401-2682 SIDE FRAME, OUTBOARD
1	3	401-2682 SIDE FRAME, INBOARD
1	2	401-2683 SIDE FRAME, OUTBOARD
1	1	401-2683 SIDE FRAME, INBOARD

GEOMETRIC SYMBOLS		MATERIAL	
SYMBOL	CHARACTERISTIC	FINISH	STD DIM TOL.
—	FLATNESS		
—	STRAIGHTNESS		
—	ALIGNMENT		
—	PARALLELISM		
—	SQUARENESS		
—	RUNOUT		
—	ANGULARITY		
—	ROUNDNESS		
—	CYLINDRICITY		
—	CONCENTRICITY		
—	ECCENTRICITY		
—	SYMMETRY		

PARTS TO BE FREE OF BURRS, SHARP EDGES AND SHARP CORNERS.

DO NOT SCALE PRINT

DATE: 6/14/91

SCALE: HALF

SHEAR CUT W/P ROLL ASSY (USA SHEAR CUTTER - REF)

400-2684 C