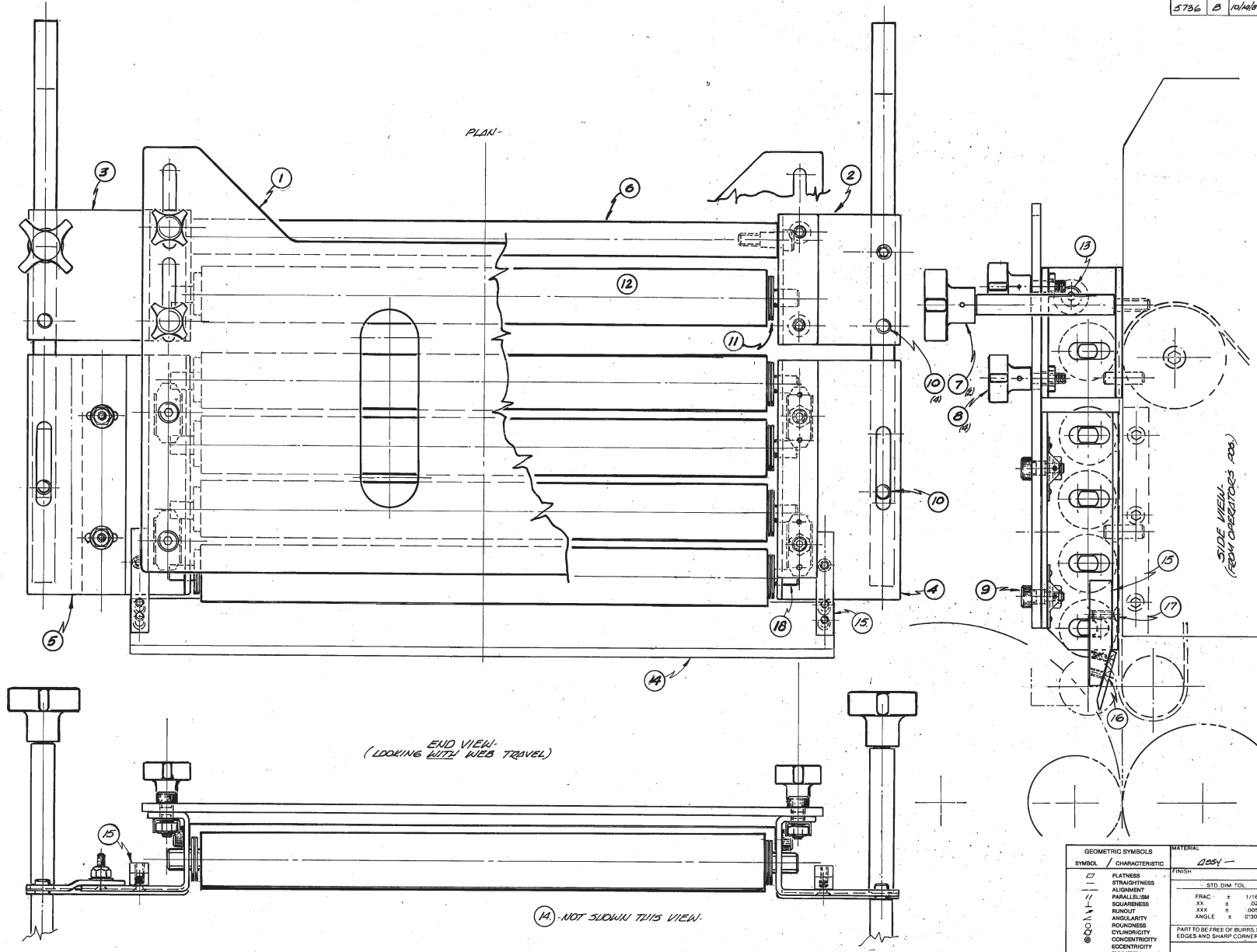


ECO. NO.	REVISION	DATE	BY	DESCRIPTION
5360	A		JMC	ADD ITEM #12 TO BLD LIST.
5736	B	10/14/60	JMC	ADD ITEM #18 TO BLD LIST

PLAN-



END VIEW
(LOOKING INTO WEB TRAVEL)

(14) NOT SHOWN THIS VIEW.

SIDE VIEW
(FROM OPERATORS' END)

ITEM	QTY.	PART NO.	DESCRIPTION
18	5	201-0941	SWAFT DOWNYDR ROLLERS
17	2	23-4203	#8-32 X 1/2 FLAT HD SCR.
16	4	23-4102	#6-32 X 3/8 FLAT HD SCR.
15	2	201-0915	DEFLECTOR BLADE BRACKET
14	1	301-0743	PRODUCT DEFLECTOR BLADE
13	2	26-4503	3/8 X 1/2 5/16 SHOULDER SCR.
12	5	301-0774	RUBBER ROLL/SWAFT ASSY.
11	20	16-4010	7/16 ID 300 X 1/4 OILITE WASH.
10	4	30-4066	5/16 X 1/4 STL DOWEL PIN
9	4	26-4501	5/16 X 1/4 5/16 SHOULDER SCR.
8	4	201-0914	ADJ. LOCKING KNOB
7	2	201-0913	ATTACH SCREW/KNOB
6	1	301-0742	CROSS MEMBER
5	1	301-0741	INBD. ROLL CARRIER BEKT.
4	1	301-0740	OUTBD. ROLL CARRIER BEKT.
3	1	301-0739	INBD. FIXED BEKT.
2	1	301-0738	OUTBD. FIXED BEKT.
1	1	301-0737	TOP PLATE

GEOMETRIC SYMBOLS		MATERIAL
SYMBOL	CHARACTERISTIC	2054
—	FLATNESS	
—	STRAIGHTNESS	
—	ALIGNMENT	
—	PARALLELISM	
—	SQUARENESS	
—	RUNOUT	
—	ANGULARITY	
—	ROUNDNESS	
—	CYLINDRICITY	
—	CONCENTRICITY	
—	ECCENTRICITY	
—	SYMMETRY	

DATE	DATE	DATE	DATE
10/14/60			

FINISH: 2054
 STD. DIM. TOL.
 FRAC. ± 1/16
 XX ± .00
 XXX ± .005
 ANGLE ± 0°50'
 PART TO BE FREE OF BURRS, SHARP EDGES AND SHARP CORNERS.
 SCALE: F
 THIS PRINT IS THE PROPERTY OF WESTERN COPPER AND IS FURNISHED FOR QUOTATION PURPOSES ONLY. WESTERN RESERVES THE RIGHT TO MAKE ANY DESIGN CHANGES WITHOUT NOTICE AND REPRODUCTION RIGHTS THEREOF.
 DRAWING NO. 401-0533
 SHEET NO. B

MICROFILMED